

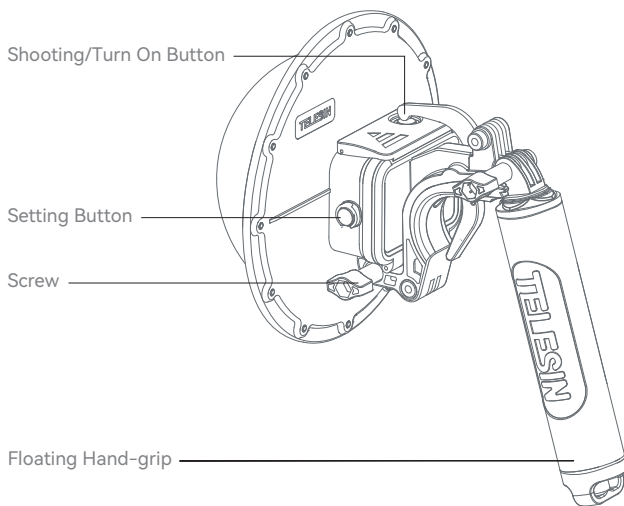
For Hero 11/10/9

DOME PORT

Disclaimer

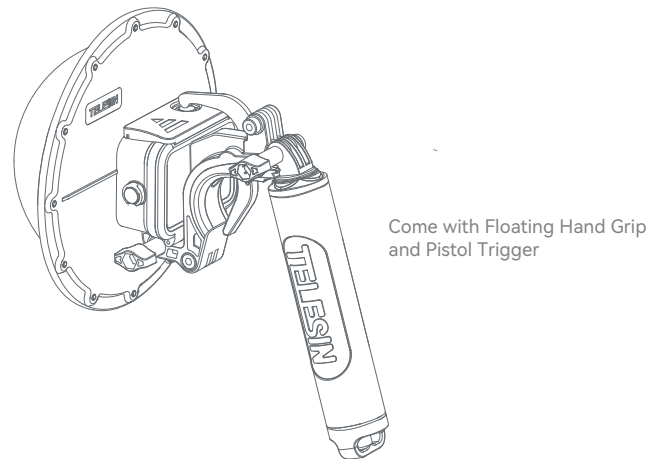
Please read this statement carefully and by using this product you will be deemed to have acknowledged and accepted it in full. Please check the product carefully before each use and do not use it if damaged or deformed. By using this product, you acknowledge and agree that you are fully responsible for your actions and the possible consequences of using this product. You undertake to use this product only for legitimate and lawful purposes. You understand and agree that Telesin Digital Co.,Ltd ("Telesin") shall not be liable for any misuse, adverse effects, damages, injuries, penalties or other legal consequences arising directly or indirectly from the use of this product. The user should follow the precautions including but not limited to those mentioned herein. To the extent Telesin reserves the right to interpret and modify this commitment within the limits of national laws and regulations.

Product Structure



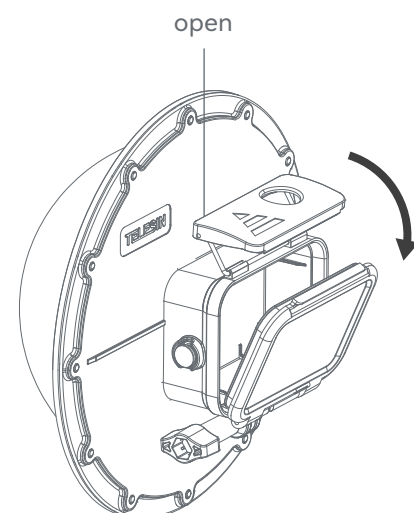
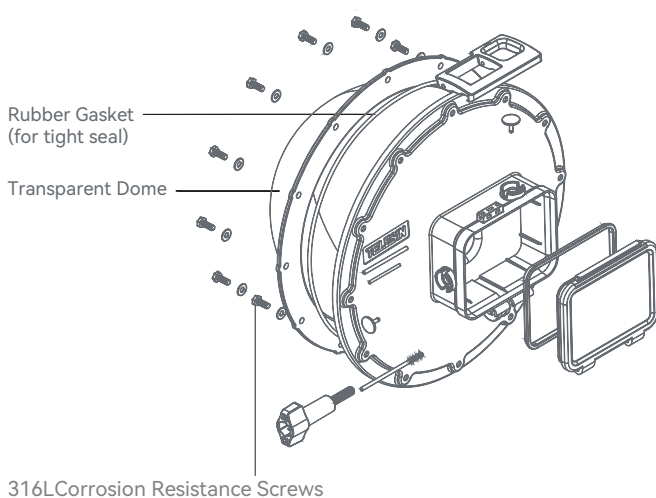
Installation Steps

Place the battery into battery ports as shown in the figure below. Connect the USB adapter to the Type C port.

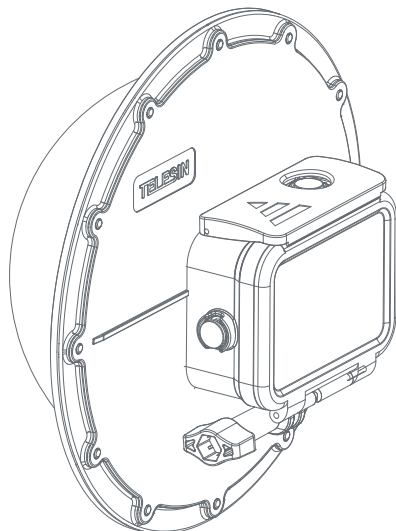


Operation Instruction

1. Open the back door of the waterproof housing.



2. Put the camera and anti-fog insert in. Close the back door and lock it.



3. Press the shutter button to start shooting.

4. Press the Mode button to turn on/off your camera.

Operation Safety Instructions:

1. Product Inspection Before Using

Before launching, please check whether the silicone ring on the backdoor of dome cover is in correct position, whether there is any debris or damage on the silicone ring and whether the waterproof button is dropped or not. Should you get any problems, please do not use the product in water and contact with TELESIN customer support for problems solving!

2. Camera Side Cover Inspection

Check that if have stains in the gap before installation and make sure it is installed correctly before or after installation.

3. Protection after water discharge

Please dry the equipment in time. Do not use the hair dryer. After using in seawater, please be sure that washing it with fresh water. Dry it in a cool and dry place. Otherwise seawater may accumulate the salt particle at the seal, which will lead to waterproof failure or reduce the waterproof level of the machine.

4. Transparent dome cover protection

Don't remove the transparent dome cover privately. Pay attention to protecting it. If you need to replace it, please return it to the original factory.