

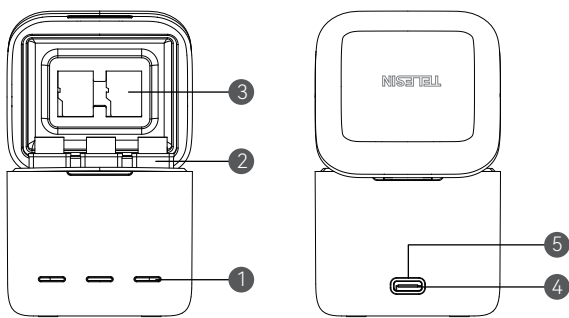
For Hero 11/10/9 Battery Charging Box

Disclaimer

Please read this statement carefully and by using this product you will be deemed to have acknowledged and accepted it in full. Please check the product carefully before each use and do not use it if damaged or deformed. By using this product, you acknowledge and agree that you are fully responsible for your actions and the possible consequences of using this product. You undertake to use this product only for legitimate and lawful purposes. You understand and agree that Telesin Digital Co.,Ltd ("Telesin") shall not be liable for any misuse, adverse effects, damages, injuries, penalties or other legal consequences arising directly or indirectly from the use of this product. The user should follow the precautions including but not limited to those mentioned herein. To the extent Telesin reserves the right to interpret and modify this commitment within the limits of national laws and regulations.

Introduction

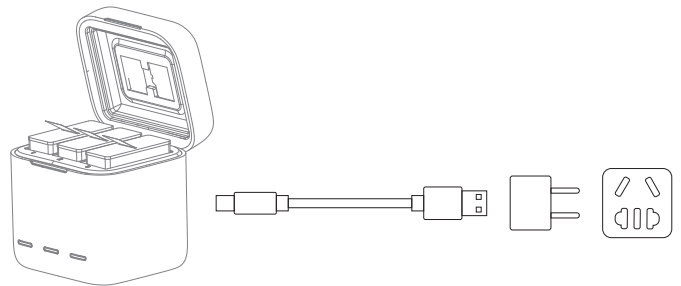
The Hero 11/10/9 Battery Charging Box can charge three batteries at the same time with a USB adapter. There are a power indicator and three charging status indicators on it. The charging box can hold three batteries and two TF memory cards.



- ① Charging Status Indicators
- ② Battery Ports
- ③ TF Card Slots
- ④ Power Indicator
- ⑤ Type C Port

Usage

Place the battery into battery ports as shown in the figure below. Connect the USB adapter to the Type C port.



LED Indicators

Status	LED Indicators
No Battery	Blue power indicator is always on.
Charging	Red LED is on. Blue LED is breathing
Nearly Full	Yellow LED is on. Blue LED is breathing
Full	Green LED is on

Specifications

Model	GP-BCG-901
Supported Batteries	Hero 11/10/9 Batteries
Operating Temperature	5°C ~ 45°C
Input	5V = 2.4A
Output	4.4V 800mA×3

Caution

1. Each output of the Hero 11/10/9 battery charging box is 4.4V 800mA. It is recommended to charge with a 5V 2.4A USB adapter.
2. The Hero 11/10/9 charging box is only compatible with Hero 11/10/9 batteries. DO NOT use it with other battery model.
3. Place the Hero 11/10/9 charging box on a flat and stable surface when in use. Make sure the device is properly insulated to prevent fire hazards.
4. DO NOT touch the metal terminals on the charger.
5. Clean the metal terminals with a clean, dry cloth if there is any noticeable buildup.