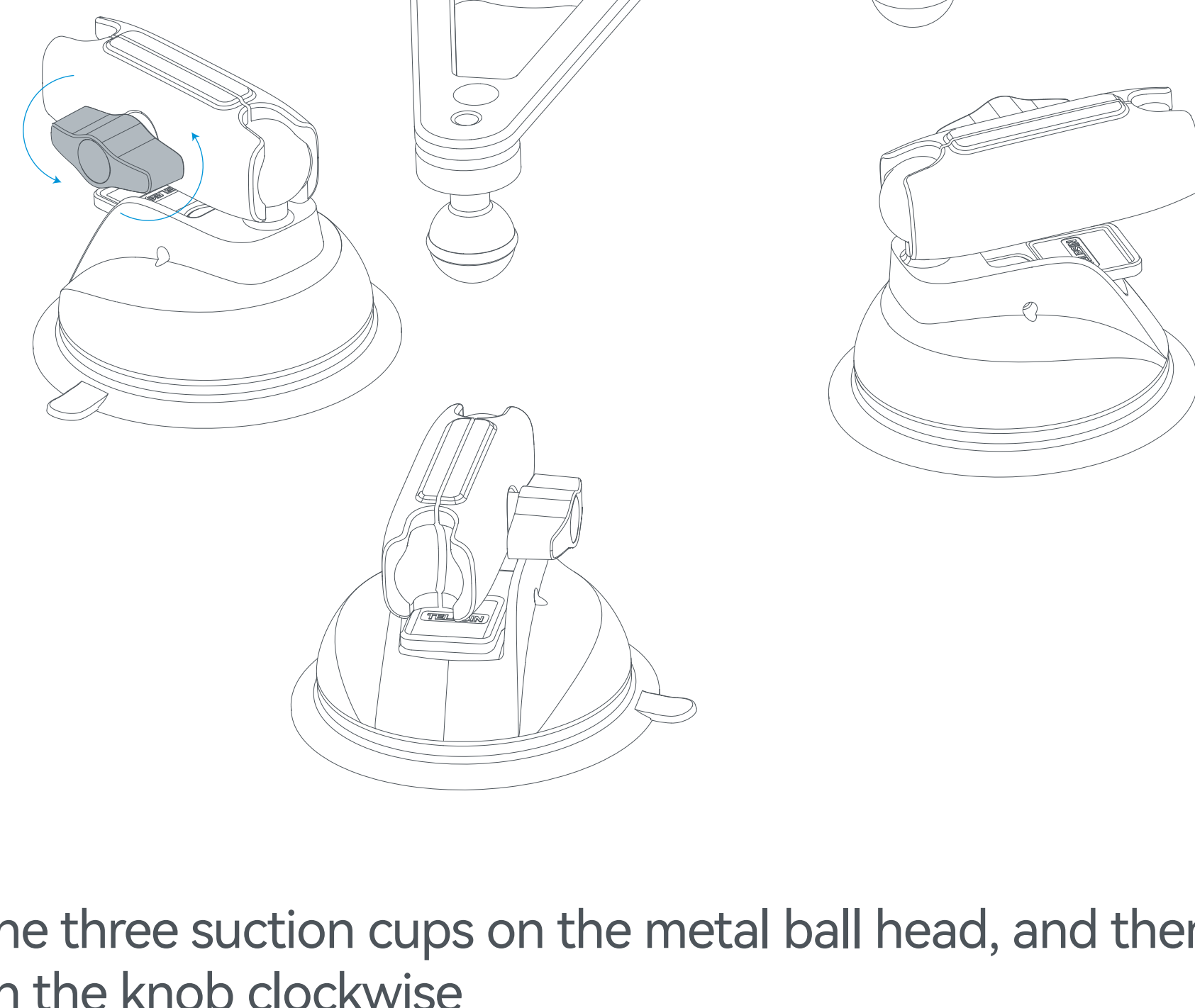


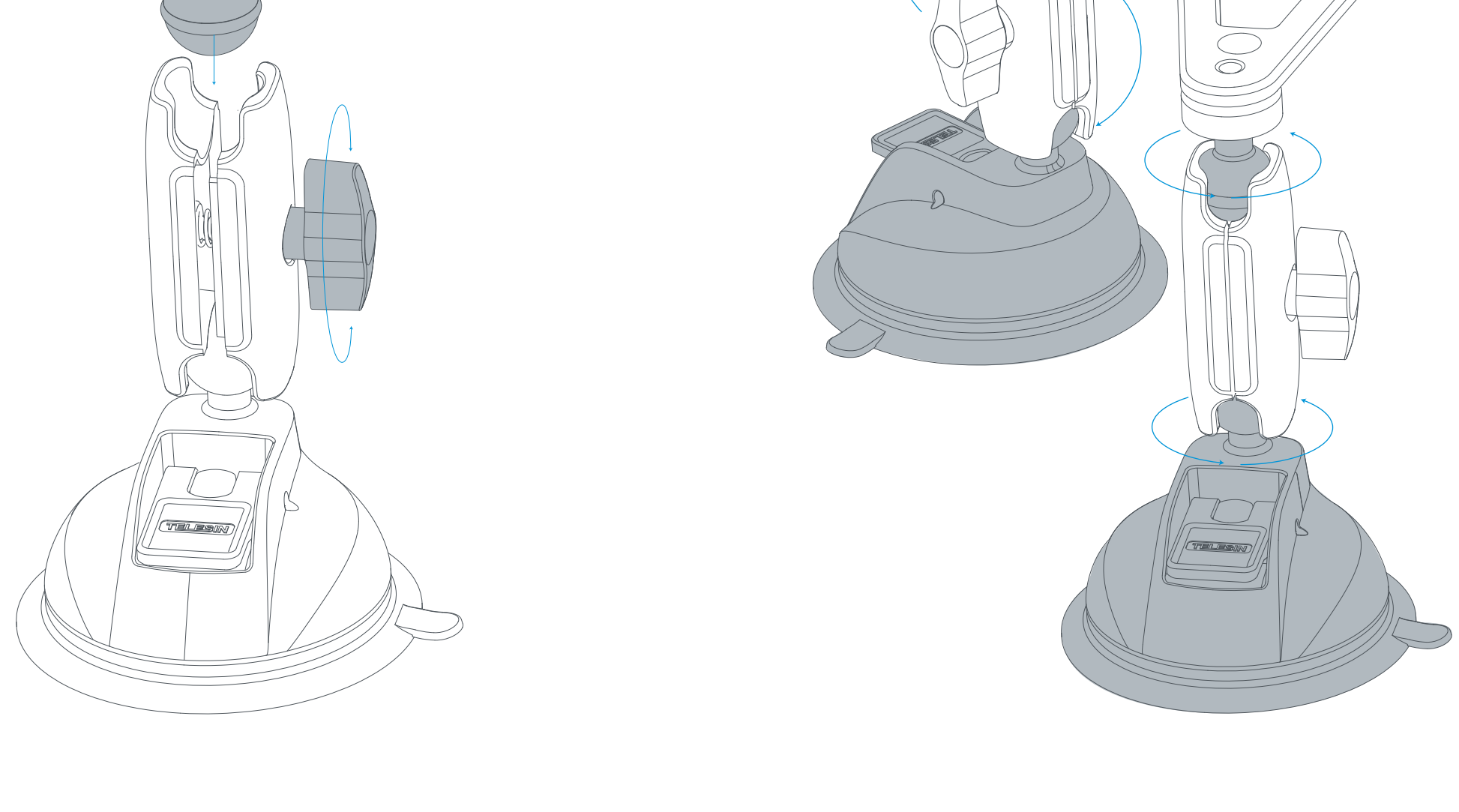
Three-arm suction mount Usage Instructions

(一) Main Body Installation

1. Loosen the pea pod knob counterclockwise to adjust the angle of the pea pod.



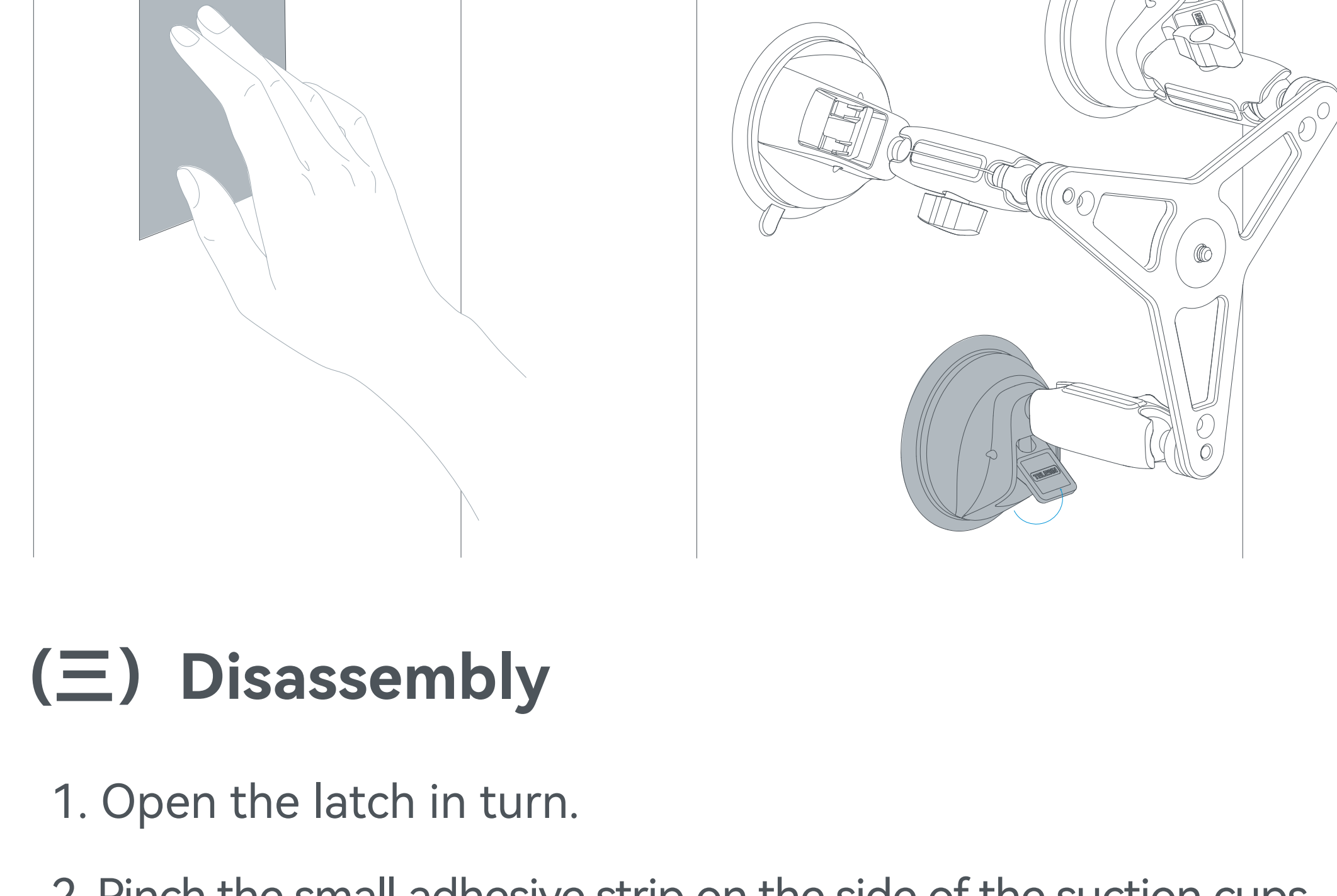
2. Fix the three suction cups on the metal ball head, and then tighten the knob clockwise



(二) Installation

1. Wipe the flat and smooth adsorption surface with a clean cloth.

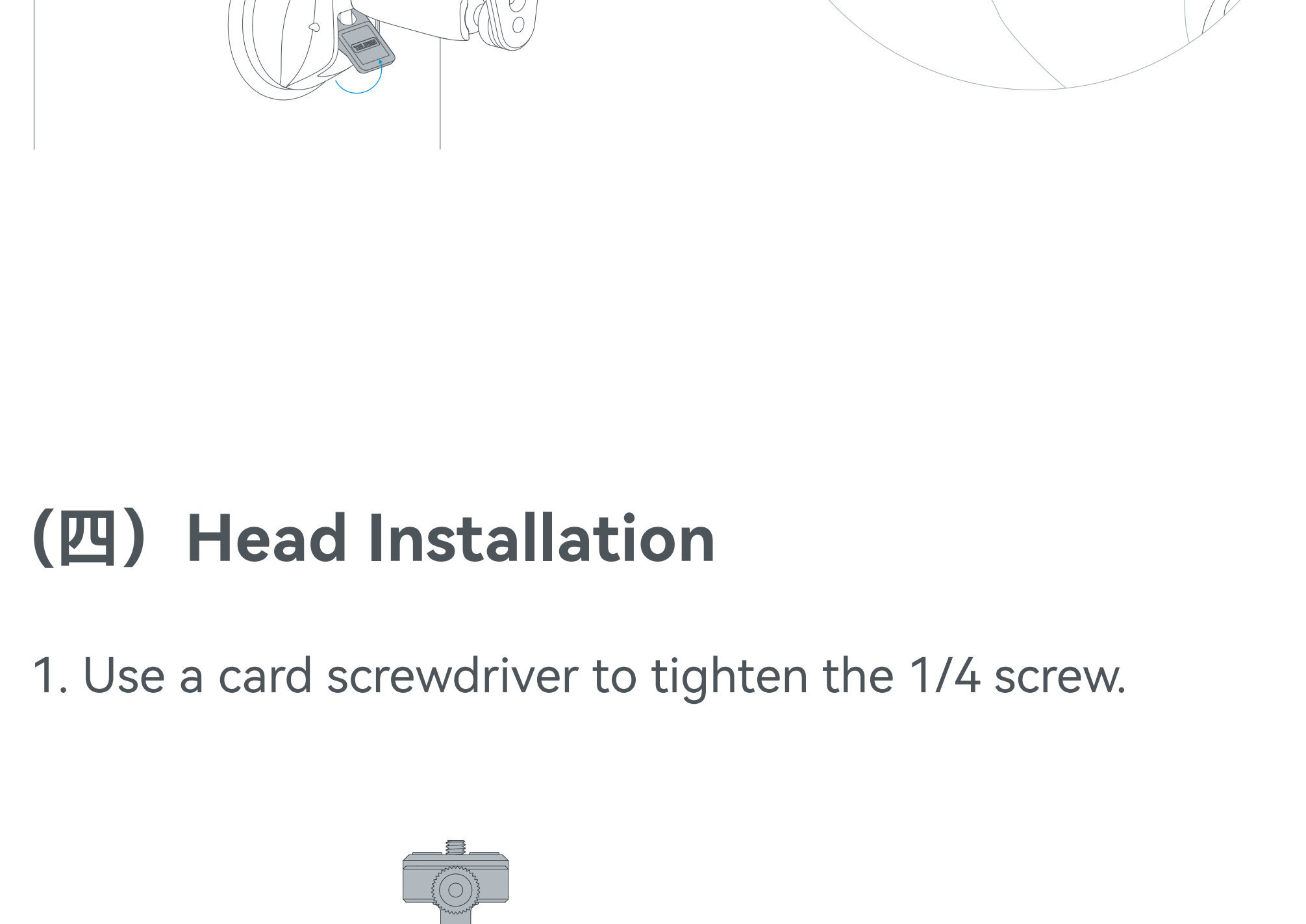
2. Attach one suction cup to the adsorption surface, press the latch to fix, then fix all suction cups.



(三) Disassembly

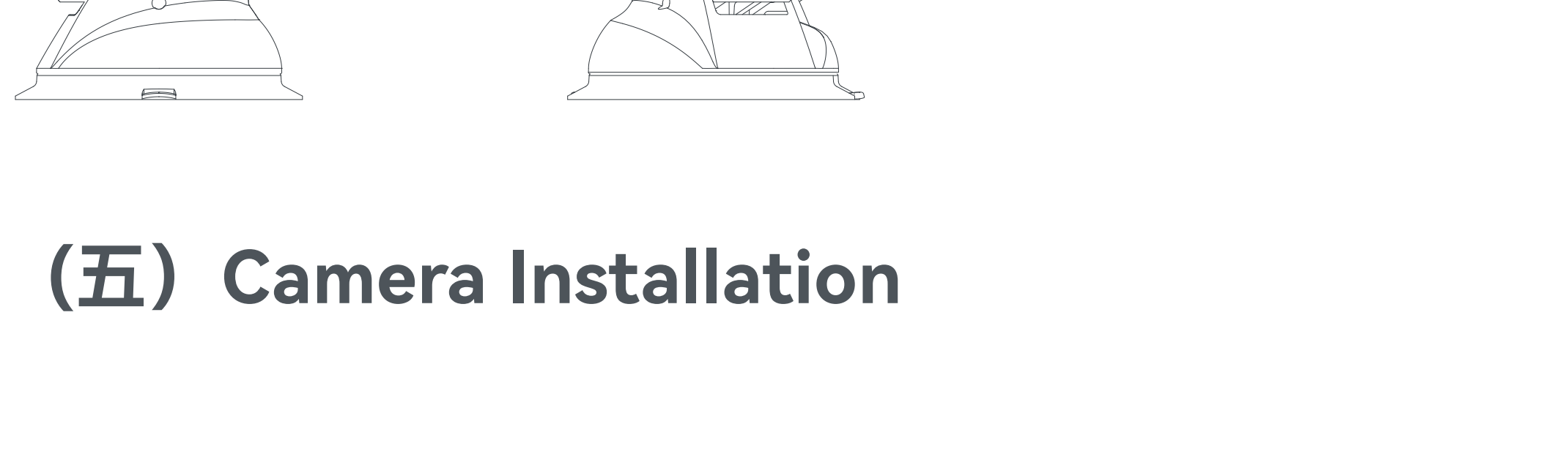
1. Open the latch in turn.

2. Pinch the small adhesive strip on the side of the suction cups with your fingers and gently lift it off, it can be disassembled.



(四) Head Installation

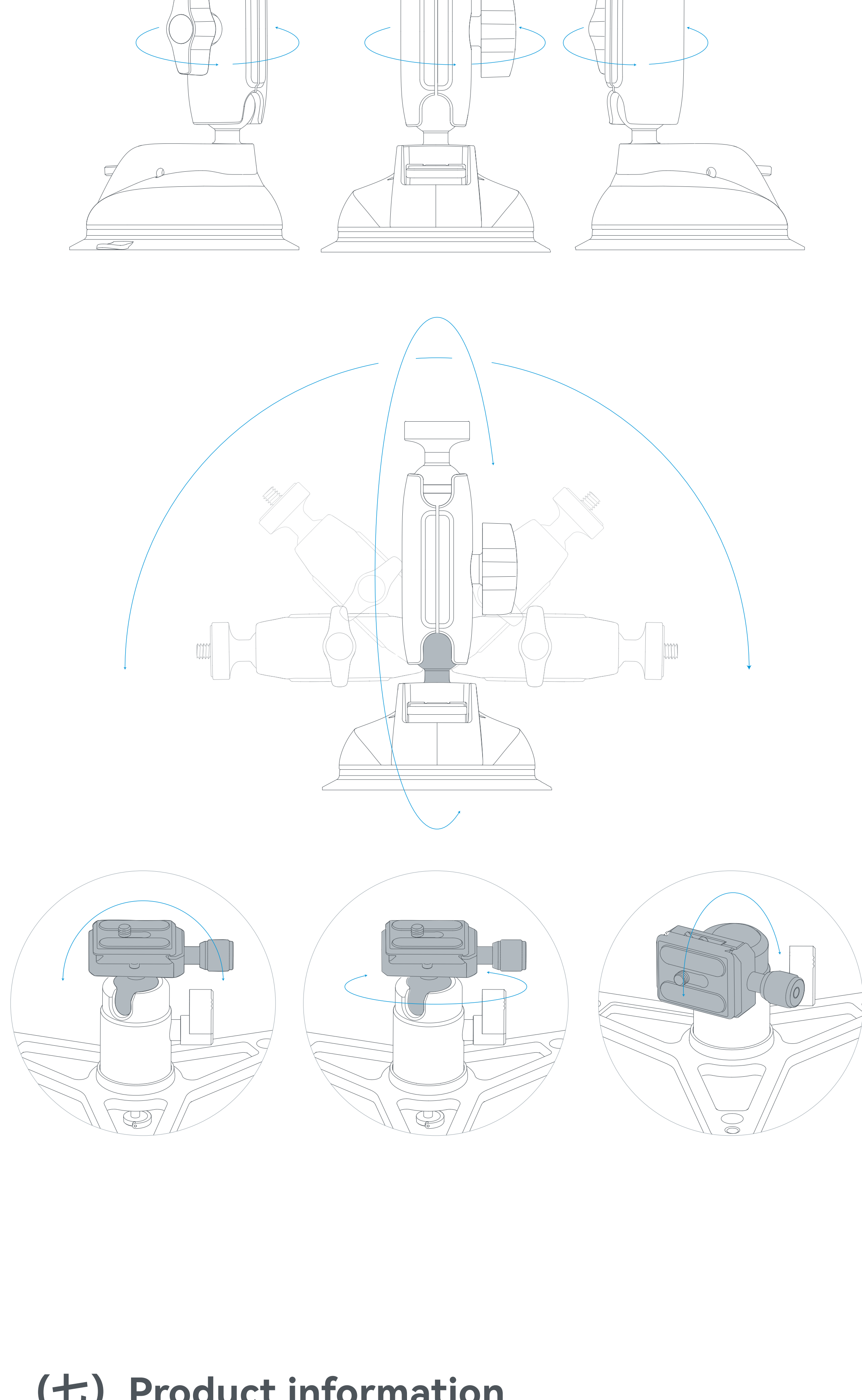
1. Use a card screwdriver to tighten the 1/4 screw.



(五) Camera Installation



(六) Functional Analysis



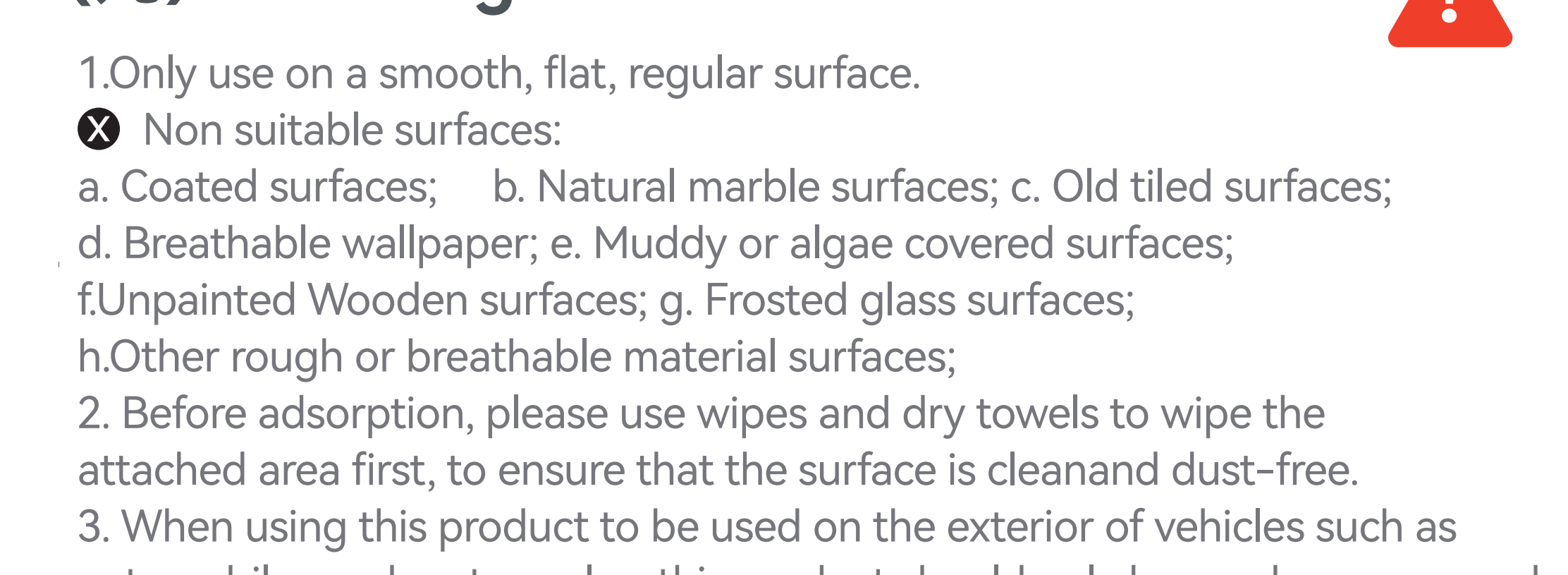
(七) Product information

Brand: TELESIN Name: Three-arm suction mount

Model: TE-TSB-001 Net Weight: 786g

Load Capacity: 2.5kg

(八) Product List



(九) Warning

- Only use on a smooth, flat, regular surface.
- Non suitable surfaces:
 - a. Coated surfaces; b. Natural marble surfaces; c. Old tiled surfaces;
 - d. Breathable wallpaper; e. Muddy or algae covered surfaces;
 - f. Unpainted Wooden surfaces; g. Frosted glass surfaces;
 - h. Other rough or breathable material surfaces;
- Before adsorption, please use wipes and dry towels to wipe the attached area first, to ensure that the surface is clean and dust-free.
- When using this product to be used on the exterior of vehicles such as cars and motorcycles, this product should only be used on even roads. Please make sure that the product is attached to a smooth and even area, and the vehicle's speed is strictly controlled below 80km/h. If conditions permit, it is recommended to use a safety string attached to the product to avoid accidents or loss. The other side of the string can be tied to a fixed object.
- Not recommended for surfing, skiing or other high impact sports. Product is only suitable for non-impact activities.
- Recommended ambient operating temperature range: -10°C ~ 40°C.
- When not in use, please do not engage the buckle to prevent damage to the performance of the action camera suction cup.

Note : Maximum Load: 2.5kg

If an accident occurs due to improper use, the user will be responsible for any damage caused.

Disclaimer

Please read this statement carefully and by using this product you will be deemed to have acknowledged and accepted it in full. Please check the product carefully before each use and do not use it if damaged or deformed. By using this product, you acknowledge and agree that you are fully responsible for your actions and the possible consequences of using this product. You undertake to use this product only for legitimate and lawful purposes. You understand and agree that ("Telesin") shall not be liable for any misuse, adverse effects, damages, injuries, penalties or other legal consequences arising directly or indirectly from the use of this product. The user should follow the precautions including but not limited to those mentioned herein. To the extent Telesin reserves the right to interpret and modify this commitment within the limits of national laws and regulations.