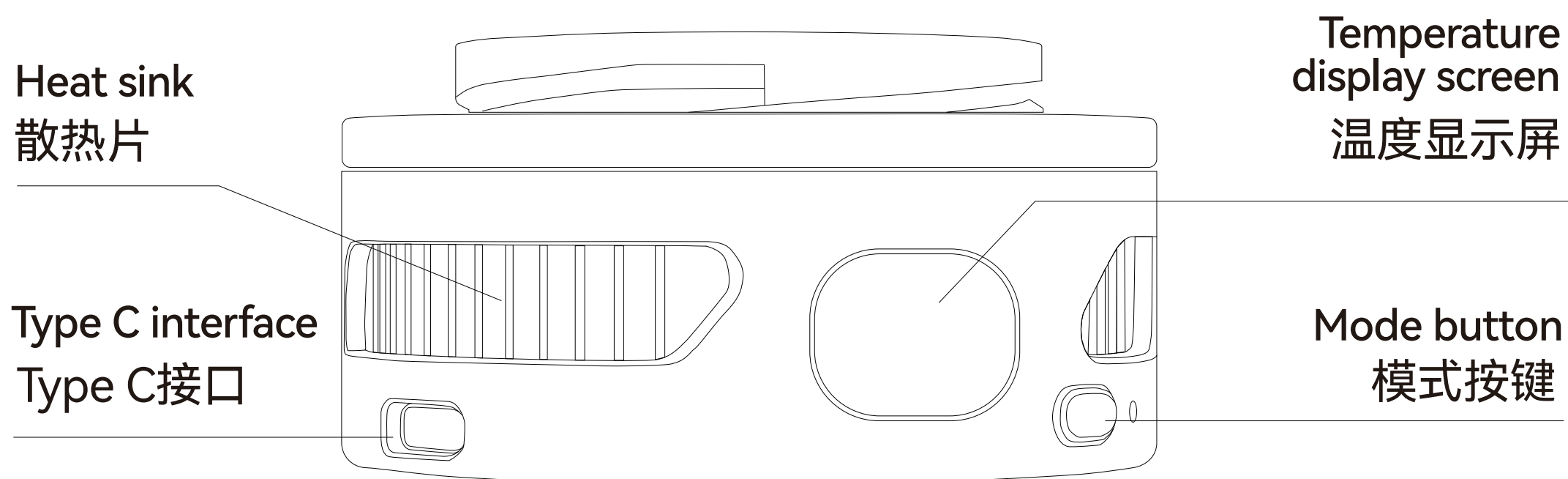
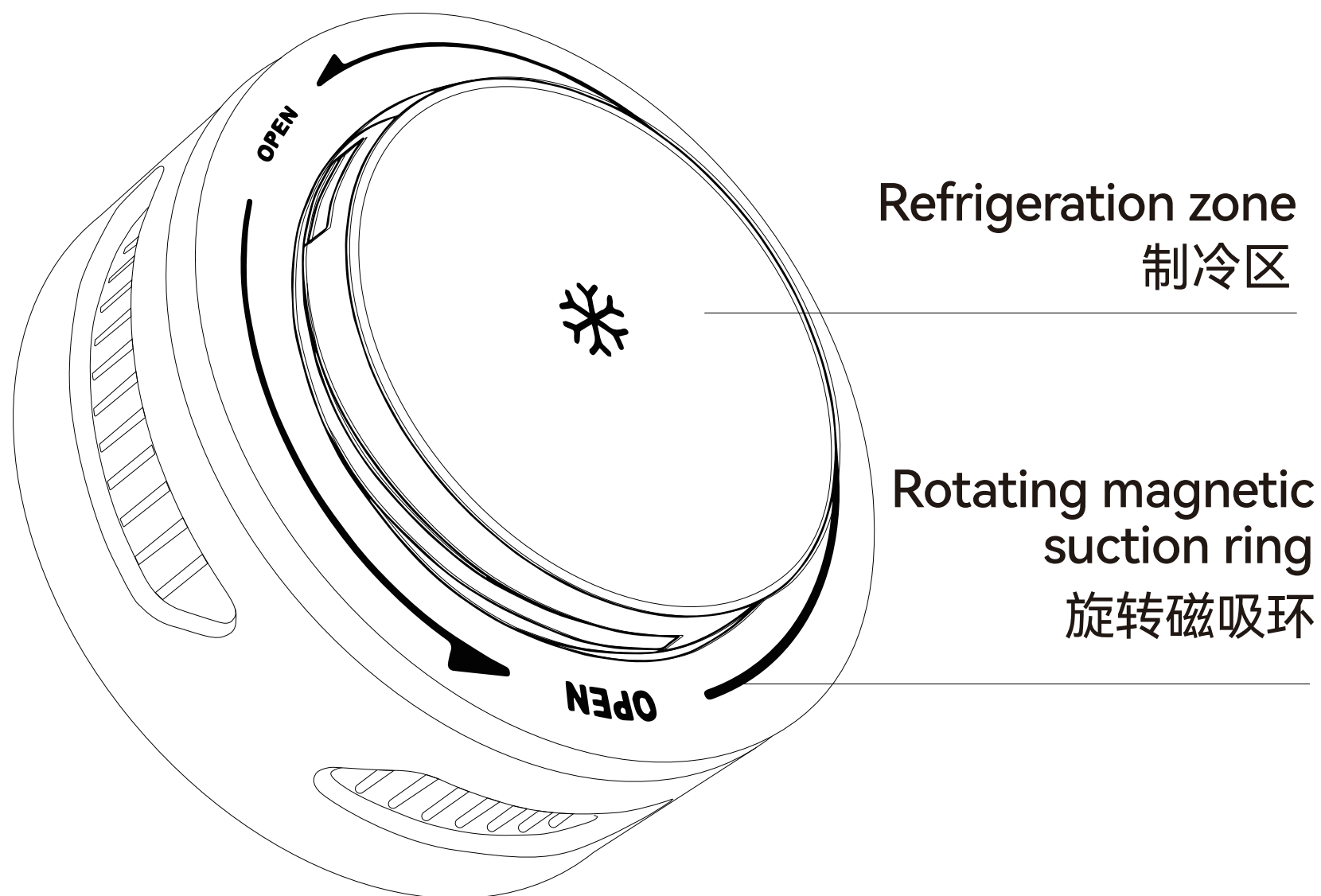


Product structure diagram 产品结构示意图



Instructions for using keys

按键使用说明

按键功能: 通电自启动工作，按键两档调节制冷模式和静音模式。

Button function: Power on to start working automatically, adjust the cooling mode and mute mode in two positions with the button.

灯效功能: 通电默认白色呼吸灯，伴随制冷效果越强烈灯光由白慢慢变蓝，温度越低越蓝。

Light effect function: When powered on, the default white breathing light is used. As the cooling effect becomes stronger, the light gradually turns from white to blue, and the lower the temperature, the bluer it becomes.

数显屏幕: 依据产品实际散热情况，实时显示温度数据，降温变化直观看得见。

Digital display screen: Based on the actual heat dissipation of the product, real-time temperature data is displayed, and the cooling changes are visually visible.

注：含无线充款散热器建议使用27W以上充电头；不含无线充款建议使用15W以上充电头即可。

Note: It is recommended to use a charging head above 27W for wireless charging heat sinks; Excluding wireless charging, it is recommended to use a charging head of over 15W.

Product data

产品数据

产品名称: 手机磁吸散热器

型号: P9-MPR-01 P9-MPR-02

尺寸: Φ 59mm 模式: 二档调节

材质: ABS+铝合金+铜+磁铁+硅胶

兼容性: 手机 接口: Type-C 输入

输入电压: 9V/5V 输入电流: 3A/2A Max

功率: 27W Max 产品重量: \approx 85克

Product name: Phone Magnetic Radiator

Model: P9-MPR-01 P9-MPR-02

Size: Φ 59mm Mode: Two-gear adjustment

Material: ABS+ aluminum alloy+copper+magnet+Silicone

Compatibility: Cell phone Interface: Type-C input

Input voltage: 9V/5V Input current: 3A/2A Max

Power: 27W Max Product weight: \approx 85 grams

Product usage instructions

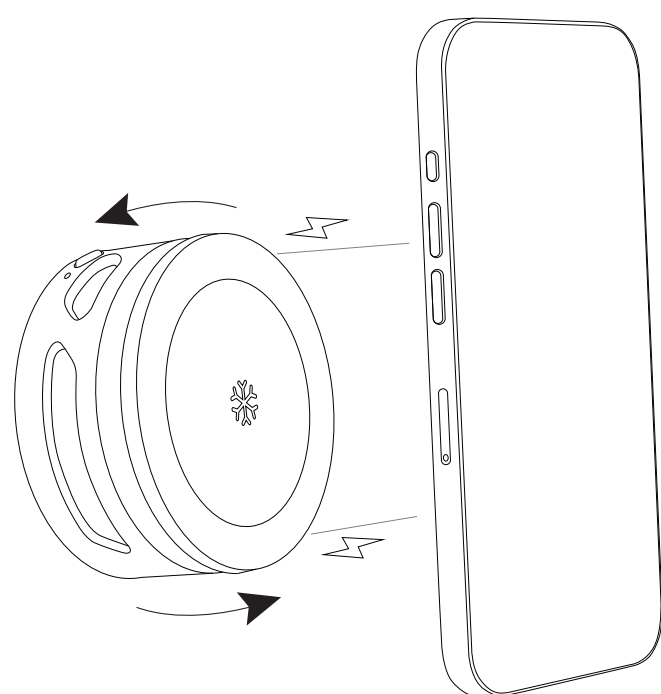
产品使用说明书

我们长时间使用手机（直播/录播/游戏）会发烫，严重影响用户体验，为了解决手机使用过程中发烫和卡顿/断播，我们研发了一款半导体降温散热器，经过产品里的静音风扇驱散热源而达到半导体快速制冷快速给手机降温，大大提高用户体验感。散热器制冷过程中会产生水蒸气或水滴，属于正常制冷物理现象，不会对手机造成损坏。

注:手机自带背磁的不用引磁环，没自带背磁的手机必须用引磁环才能使用此款产品。(如下图)

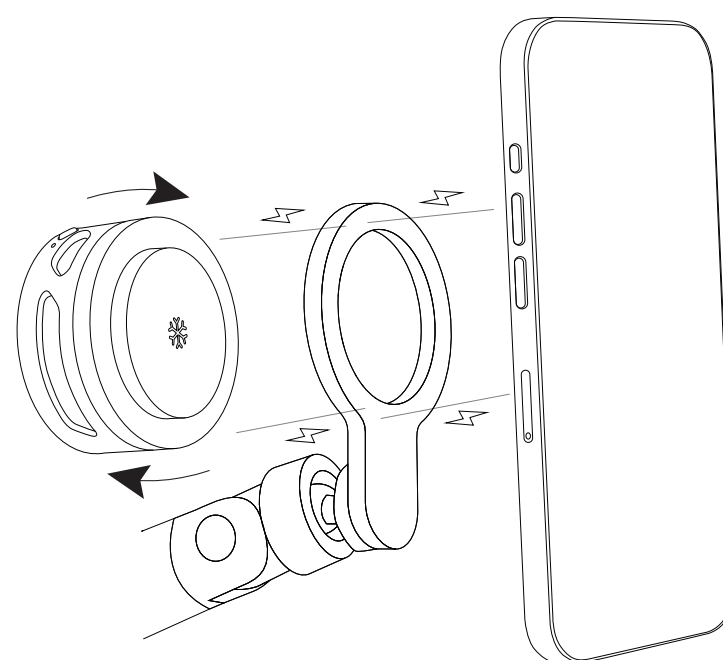
Long term use of mobile phones (live streaming/recording/gaming) can cause overheating, seriously affecting the user experience. In order to solve the problem of overheating and lagging/interruption during phone use, we have developed a semiconductor cooling radiator. Through the silent fan in the product, the heat source is dissipated to achieve rapid cooling of the phone, greatly improving the user experience. During the cooling process of the radiator, water vapor or droplets will be generated, which is a normal cooling physical phenomenon and will not cause damage to the phone.

phones without back magnetism must use magnetizing ring. To use this product.(as shown below)



1. The magnetic ring rotates upwards to align with the surface
2. The radiator directly magnetizes the phone

1. 磁环向上旋转齐平表面
2. 散热器直接磁吸手机

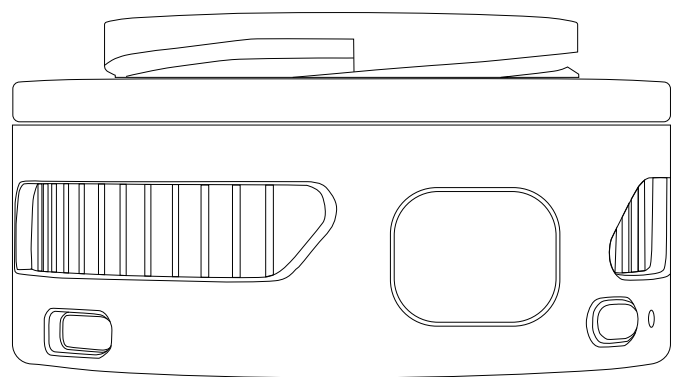


1. Rotate the magnetic ring all the way down
2. The heat sink magnetically sucks the phone through a magnetic ring

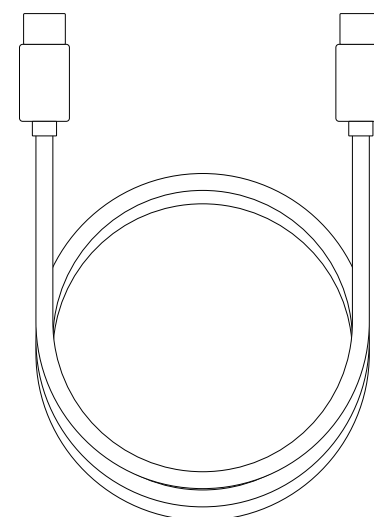
1. 磁环向下旋转到底
2. 散热器通过磁环磁吸手机

Product list

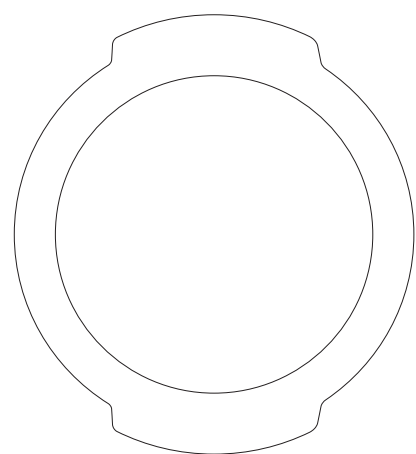
产品清单



Radiator x 1
散热器 x 1

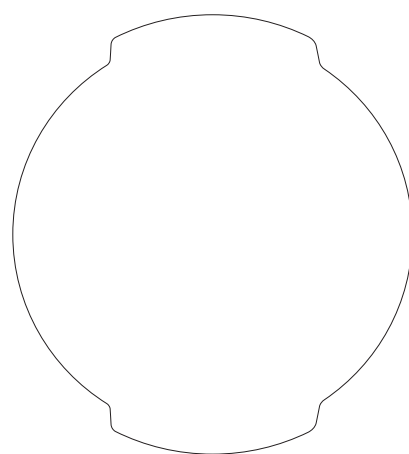


Type-C charging cable x 1
Type-C充电线 x 1



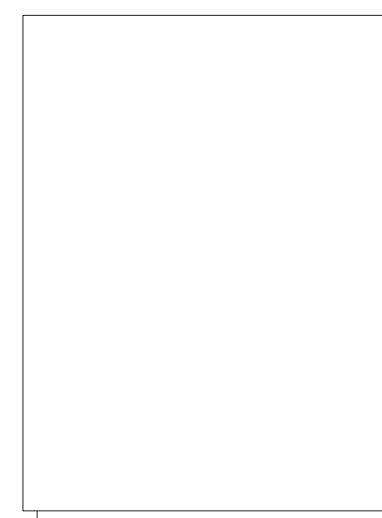
Magnetic ring x1
引磁环x1

智能无线充电款
Smart Wireless Charging



Magnetic ring x1
引磁环x1

散热增强款
Enhanced heat dissipation



Instruction manual x1
说明书x1

Other information

其他信息

深圳市泰迅数码有限公司
地址：广东省深圳市龙岗区坂田街道
万科城社区百瑞达大厦B座5楼526室
服务热线：86-755-32947086
执行标准：Q/TX 003-2017

Shenzhen Telesin Digital Co., Ltd.
Address: Bantian Street, Longgang District, Shenzhen, Guangdong, China
Room 526, 5/F, Block B, Paradiso Building, Vanke City Community
Service hotline: 86-755-32947086
Implementation standards: Q/TX 003-2017

Disclaimer

免责声明

Please read this statement carefully and by using this product you will be deemed to have acknowledged and accepted it in full. Please check the product carefully before each use and do not use it if damaged or deformed. By using this product, you acknowledge and agree that you are fully responsible for your actions and the possible consequences of using this product. You undertake to use this product only for legitimate and lawful purposes. You understand and agree that ("Telesin") shall not be liable for any misuse, adverse effects, damages, injuries, penalties or other legal consequences arising directly or indirectly from the use of this product. The user should follow the precautions including but not limited to those mentioned herein. To the extent Telesin reserves the right to interpret and modify this commitment within the limits of national laws and regulations. The warranty period for TELESIN products begins 6 months on the day you receive the product.

请仔细阅读本声明，一旦使用本产品，即视为对本声明的全部认可和接受。每次使用前，请仔细检查产品，若出现破损、变形，请勿使用。使用本产品，就意味着您认可并同意，您将对使用本产品的行为和可能产生的后果负全部责任。您承诺仅会出于正当合法的目的使用本产品。您理解并同意，对于直接或间接因使用本产品而造成的滥用、不利影响、损害、伤害、惩罚或者其他法律后果，泰迅数码有限公司（以下简称“Telesin”）将不承担任何责任。用户应遵循包括但不限于本文提及的使用注意事项。在国家法律法规范围内，本承诺解释权、修改权归 Telesin 所有。

泰迅保修期从您收到货物后的当日起计算，享有 6 个月保修服务。

