

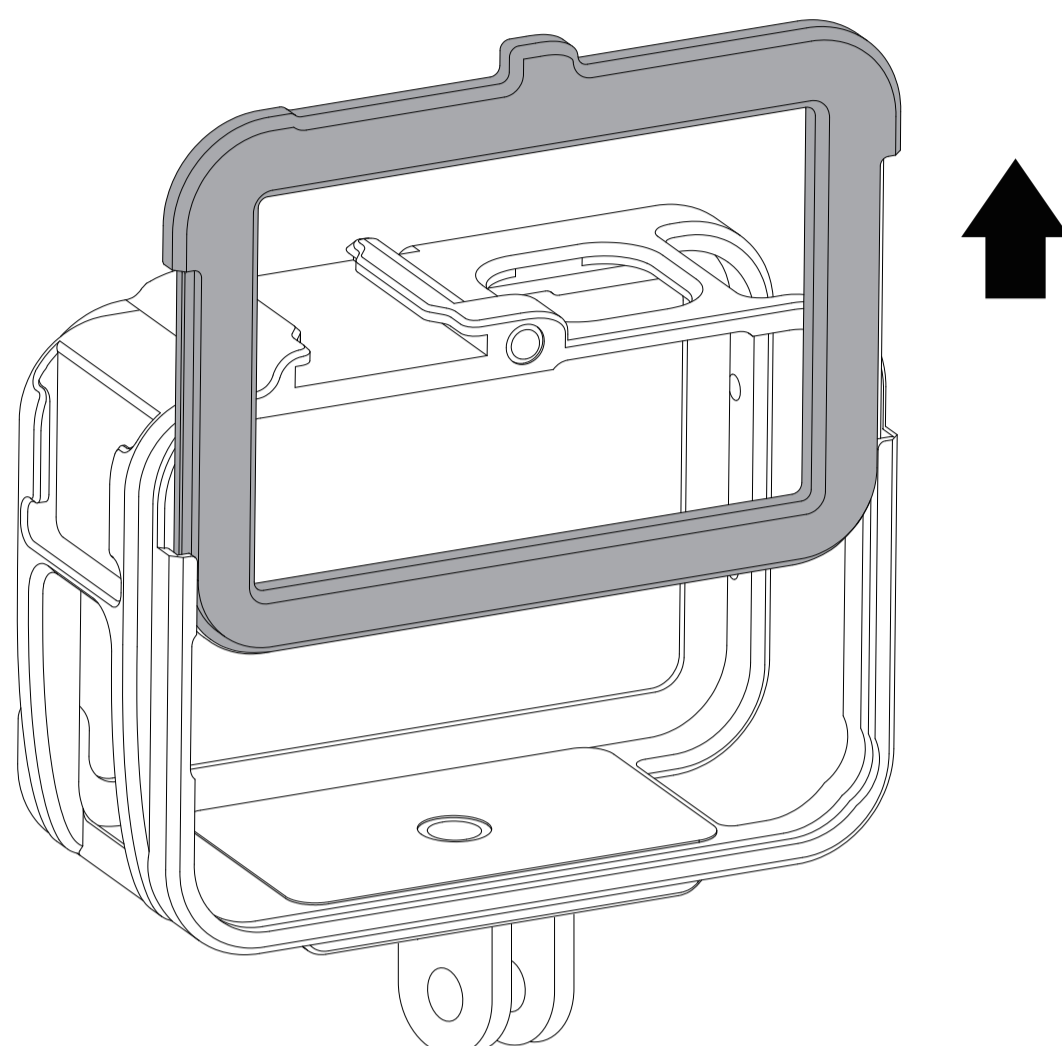
Operation Guidelines 操作指引

Please install the camera according to the following operation to prevent the metal combo cage from scratching your camera to avoid unnecessary damage.

请按照以下操作安装相机，防止金属兔笼刮擦到您的相机，以免造成不必要的损失。

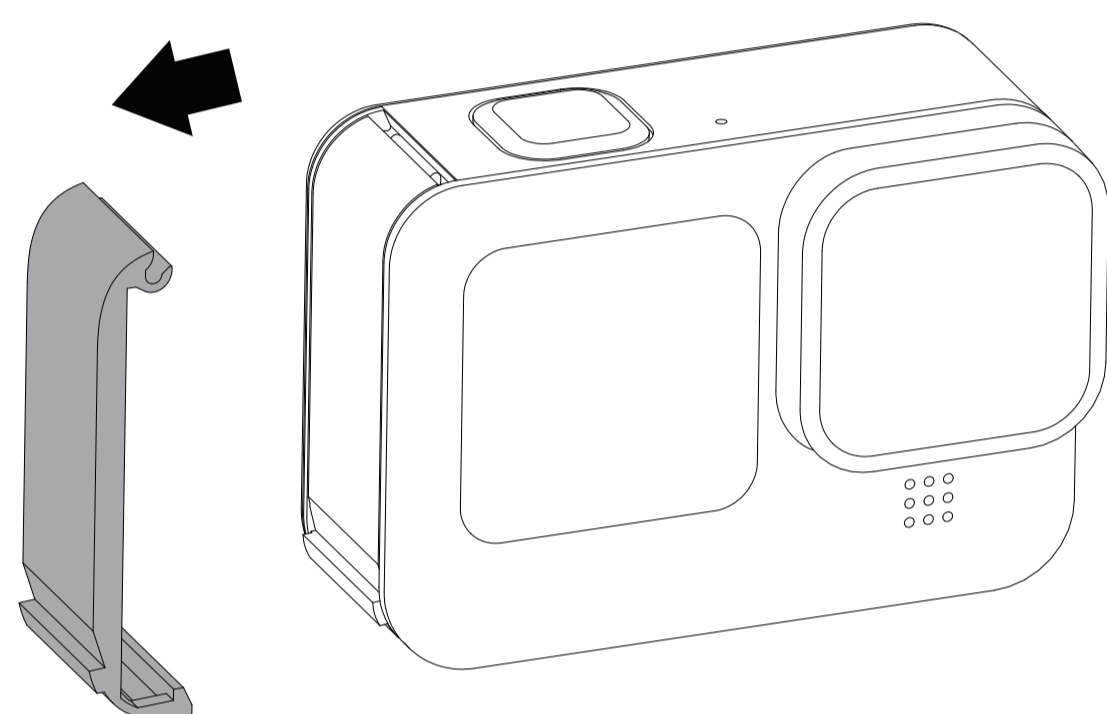
- 1 Slide out the metal combo cage top cover

滑出金属兔笼上盖



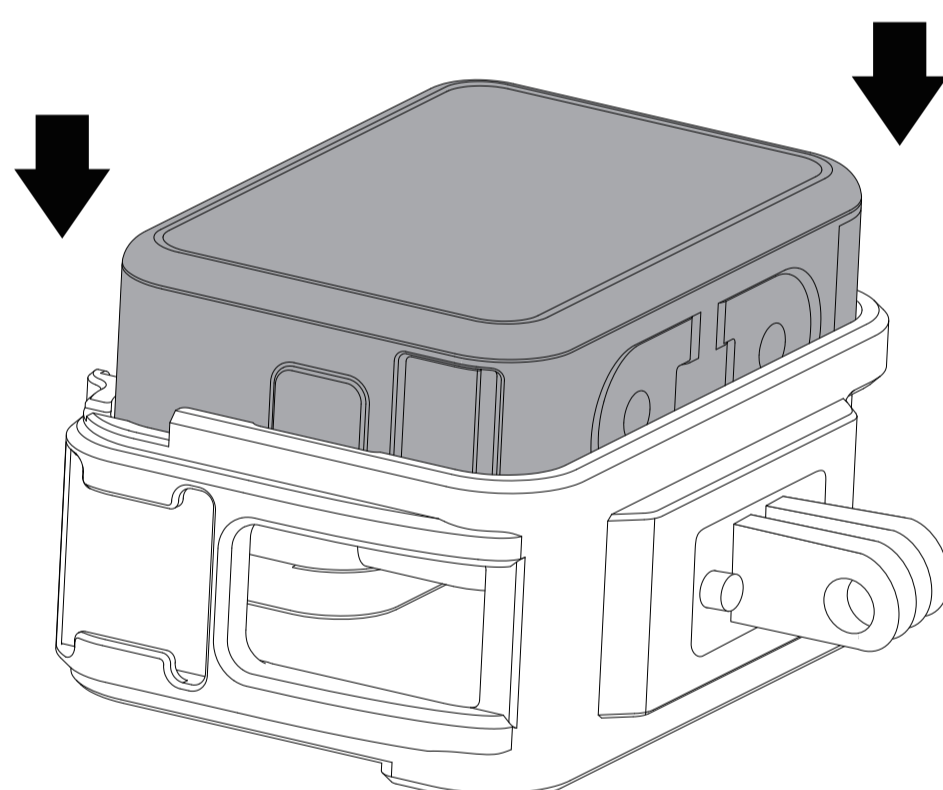
- 2 Remove the side cover of the sports camera

拆除运动相机侧盖



- 3 Align horizontally with the frame entrance first, then place the sports camera.

先与边框入口水平对准，再放置运动相机。

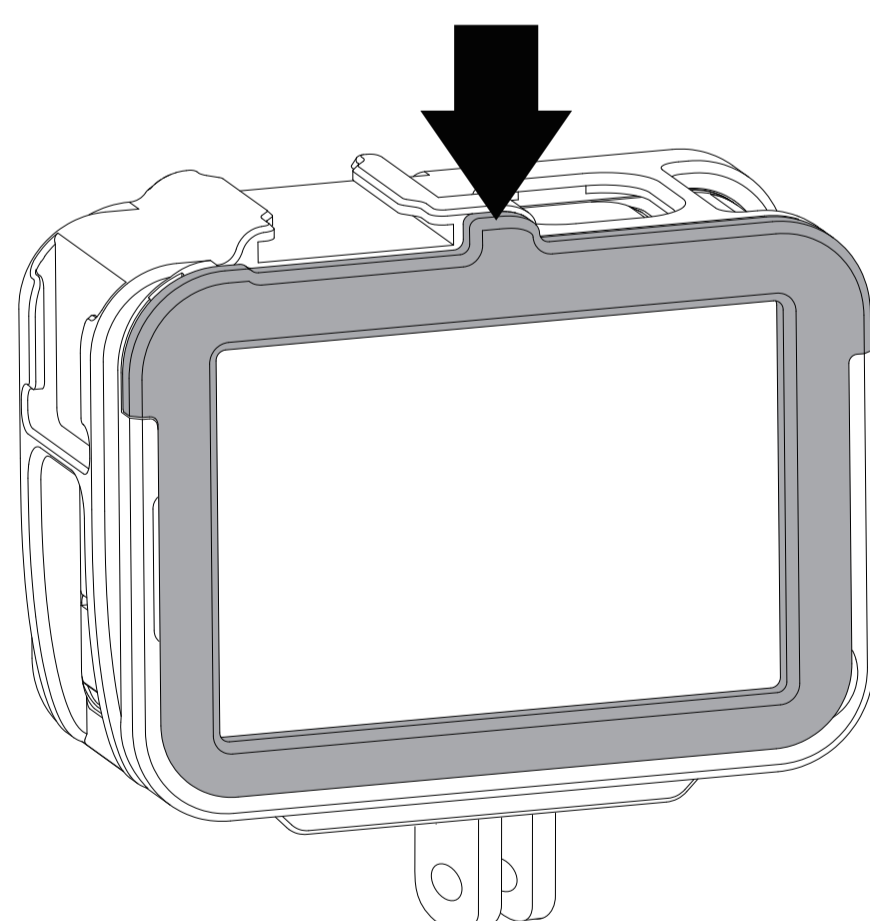


- 4 Close the metal frame.

合上金属边框。

- 5 Put back the side cover and the operation is completed.

装回侧盖，操作完成。



Disclaimer 免责声明

Please read this statement carefully and by using this product you will be deemed to have acknowledged and accepted it in full. Please check the product carefully before each use and do not use it if damaged or deformed. By using this product, you acknowledge and agree that you are fully responsible for your actions and the possible consequences of using this product. You undertake to use this product only for legitimate and lawful purposes. You understand and agree that ("Telesin") shall not be liable for any misuse, adverse effects, damages, injuries, penalties or other legal consequences arising directly or indirectly from the use of this product. The user should follow the precautions including but not limited to those mentioned herein. To the extent Telesin reserves the right to interpret and modify this commitment within the limits of national laws and regulations.

请仔细阅读本声明，一旦使用本产品，即视为对本声明的全部认可和接受。每次使用前，请仔细检查产品，若出现破损、变形，请勿使用。使用本产品，就意味着您认可并同意，您将对使用本产品的行为和可能产生的后果负全部责任。您承诺仅会出于正当合法的目的使用本产品。您理解并同意，对于直接或间接因使用本产品而造成的滥用、不利影响、损害、伤害、惩罚或者其他法律后果，泰迅数码有限公司（以下简称“Telesin”）将不承担任何责任。用户应遵循包括但不限于本文提及的使用注意事项。在国家法律法规范围内，本承诺解释权、修改权归 Telesin 所有。