

Portable Magnetic Selfie Stick

便携式磁吸自拍杆

Specifications

Model: P1-MSS-01

Color: Black

Material: ABS+PC+Aluminum Alloy

Folded Size: 242mm

Stretching Size: 1365mm

Weight: 270±5g

Battery Capacity: 50mAh

参数

型号: Oth-AB403

颜色: 黑色

材质: ABS+PC+铝合金

收缩长度: 242mm

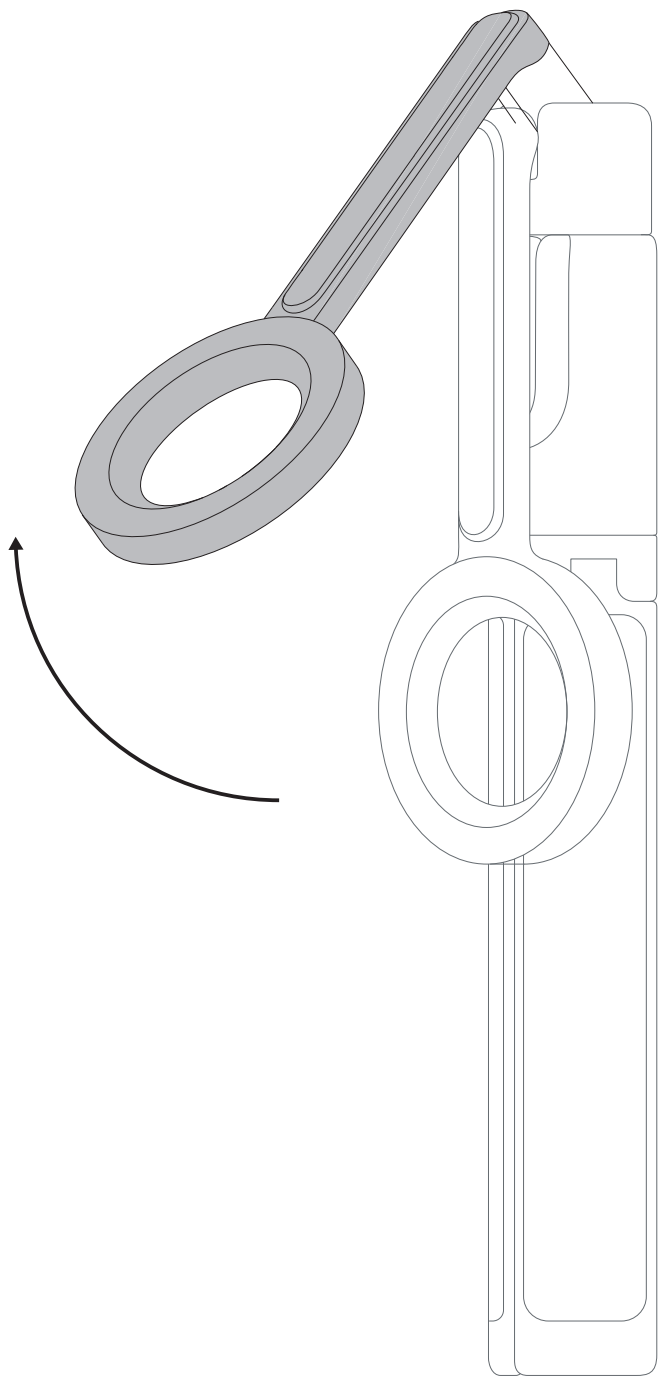
拉伸长度: 1365mm

产品重量: 270±5g

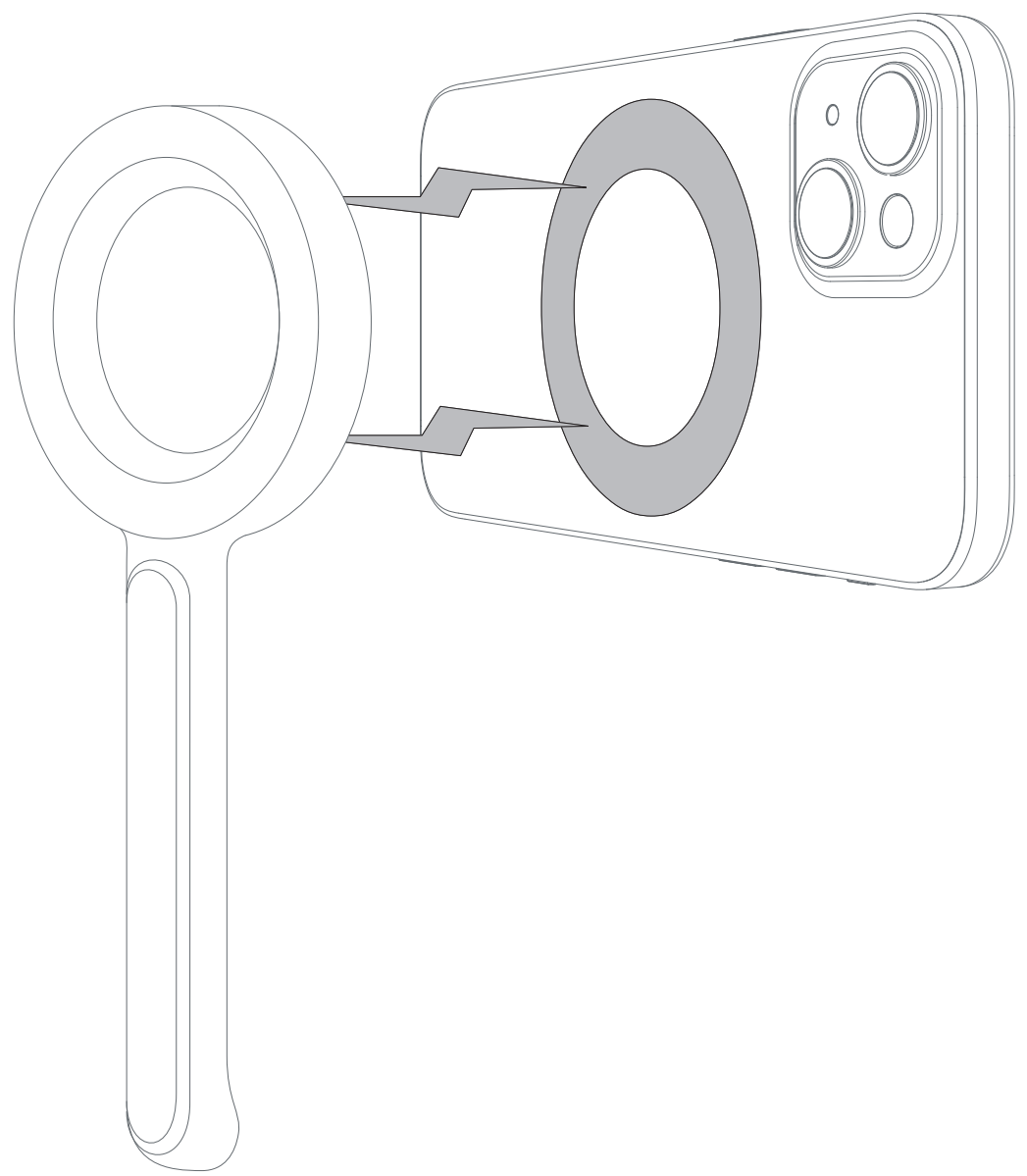
电池容量: 50mAh

Instructions 操作说明

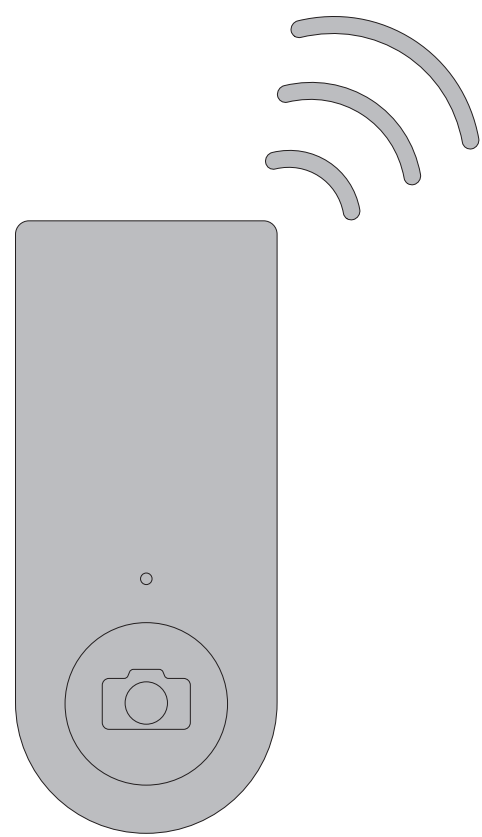
- ① Open the bracket
打开支架



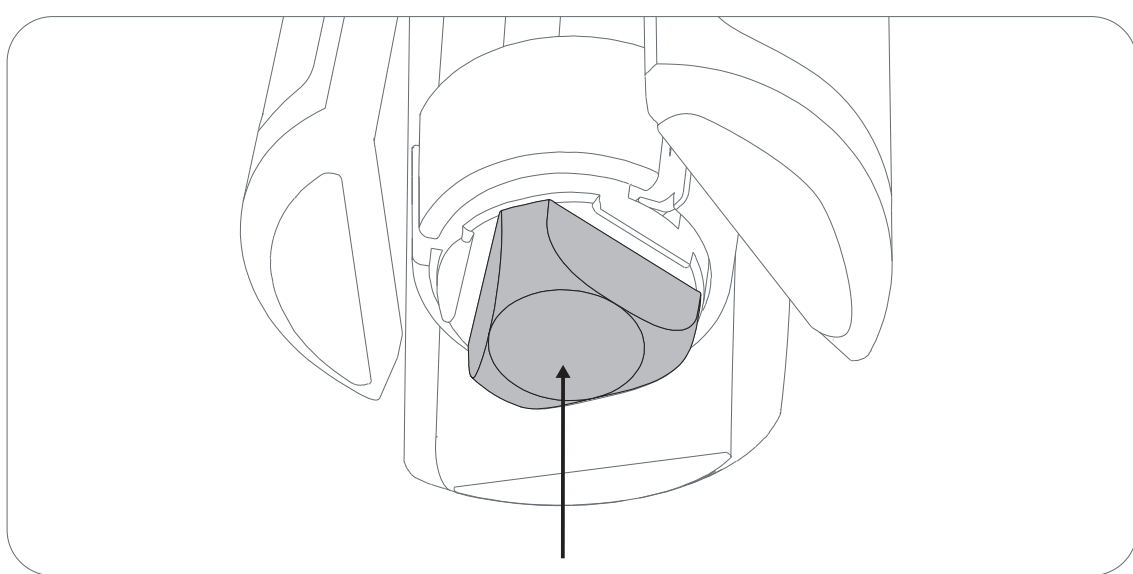
- ② Attach the magnetic ring to
iphone's magsafe area
安装手机(磁吸方式)



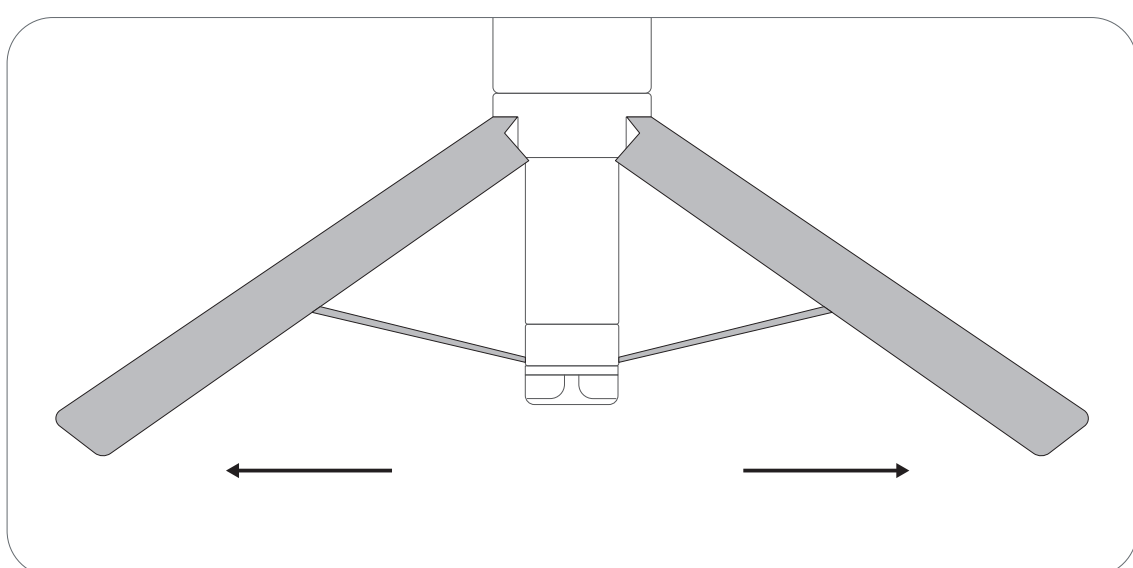
- ③ Bluetooth connection
蓝牙连接



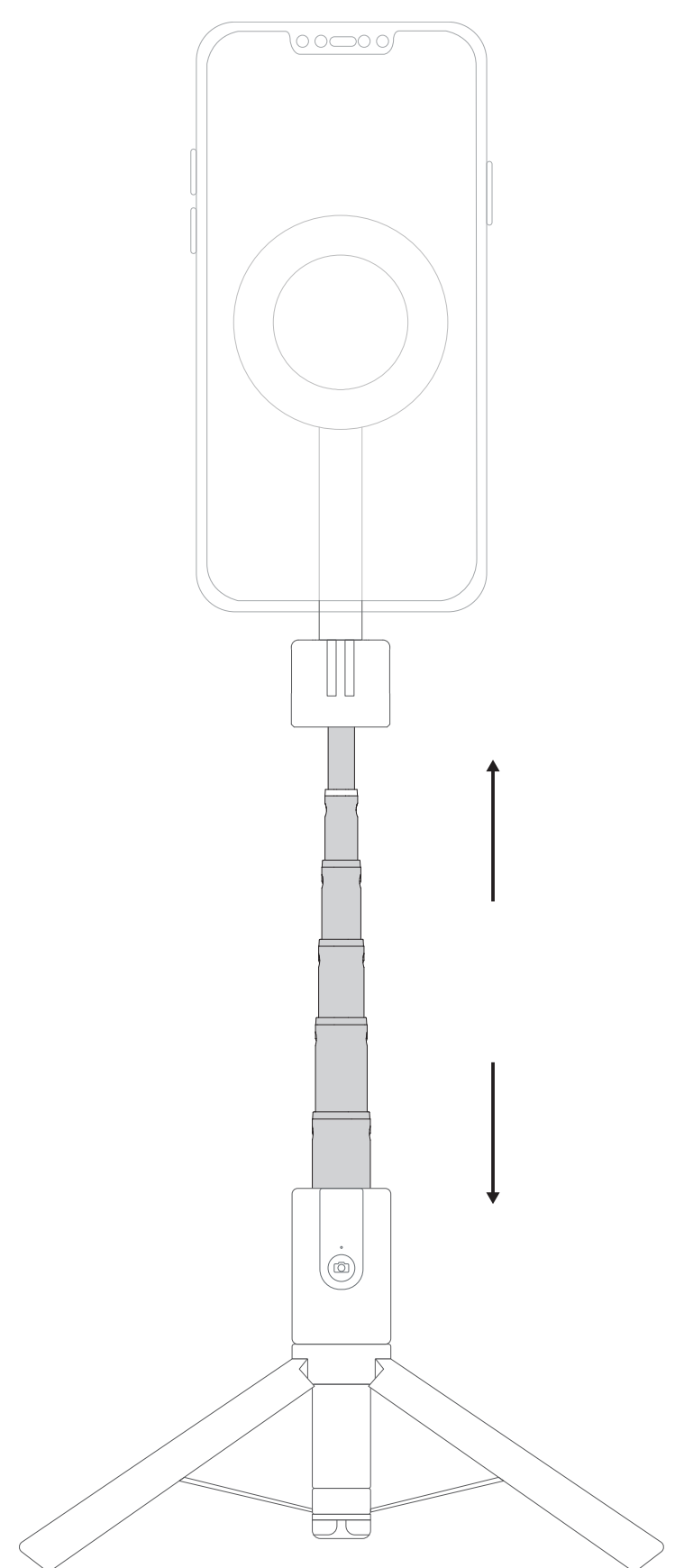
- ④ Use tripod
使用三脚架



- (1) Press the lock button at the bottom
按压底部锁键



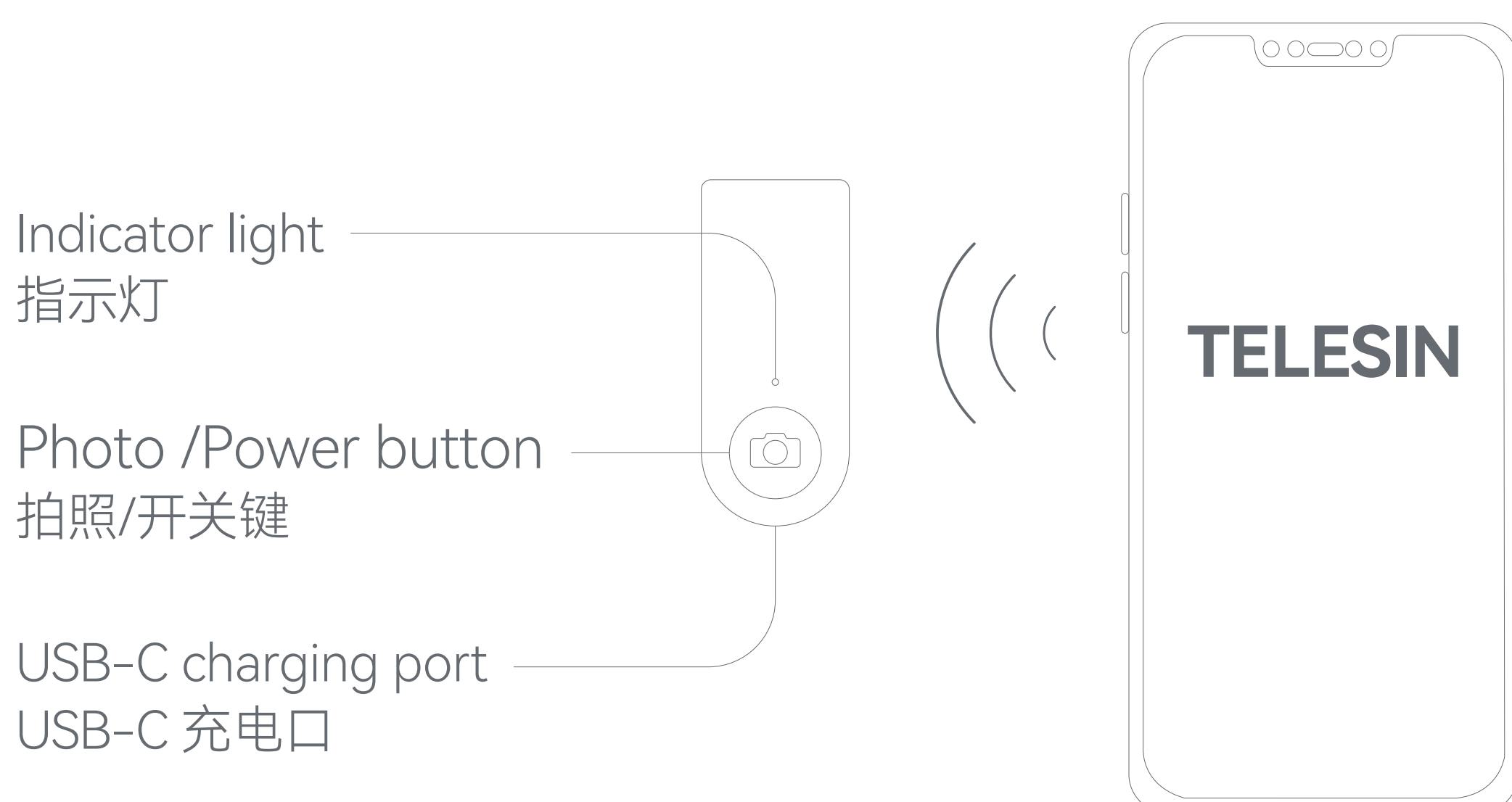
- (2) Open the three-legged stand at the bottom
撑开底部三脚架



- (3) Pull out the telescopic rod
拉开伸缩杆

Bluetooth Remote Control 蓝牙遥控器

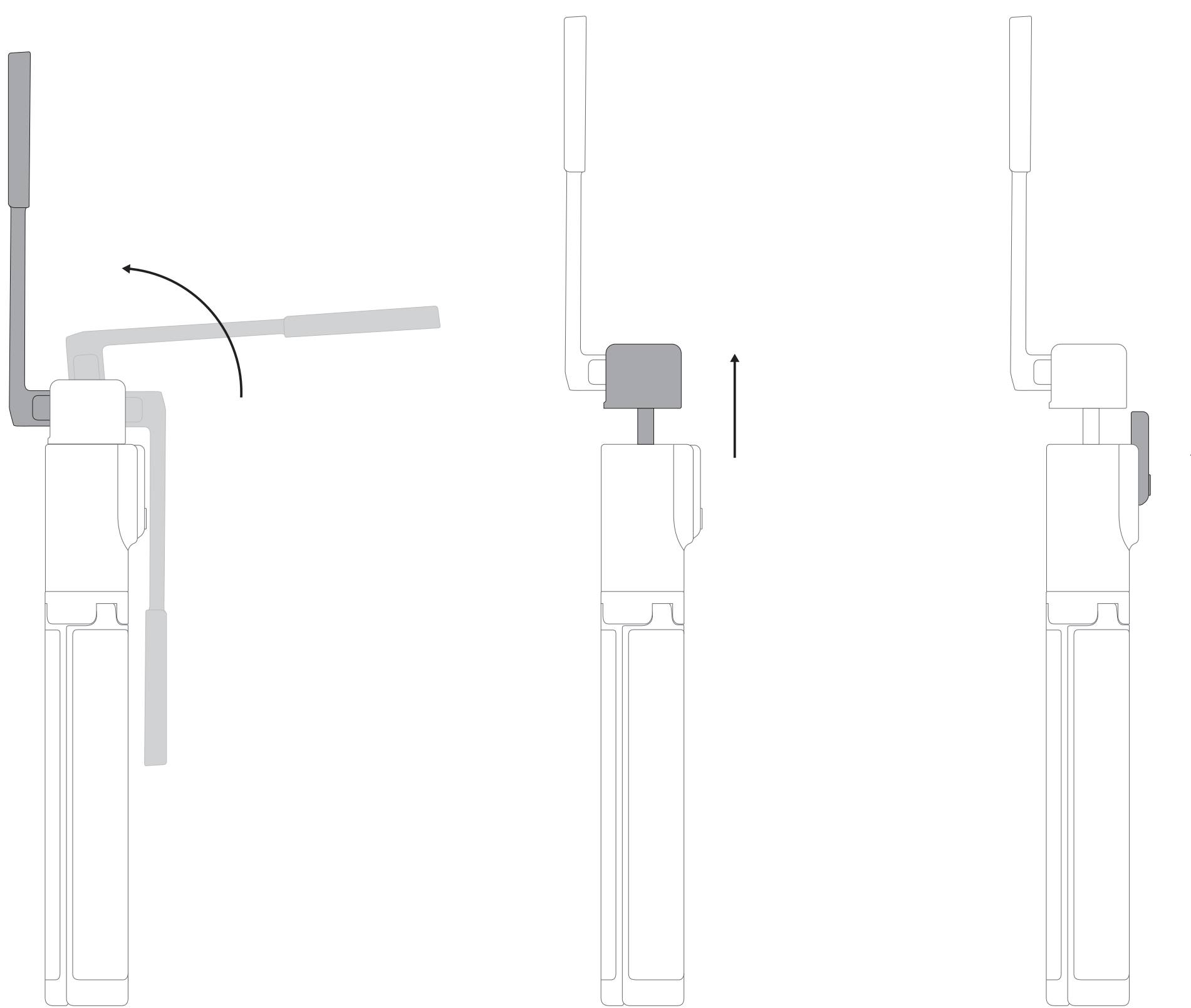
- 1
 - Press and hold the Photo /Power button for 3 seconds until the green light flashes to turn on the Bluetooth pairing mode.
 - Open the Bluetooth settings of your phone, search and connect "TELESIN".
 - Short press the Photo /Power button to take pictures when the connected smartphone is in camera mode.
 - Long press for 3 seconds again to turn off the Bluetooth.
- 长按拍照/开关键3秒至绿灯闪烁开启蓝牙配对模式；
- 打开手机蓝牙设置，搜索并连接“TELESIN”，连接成功后绿灯熄灭；
- 短按拍照/开关键可在照相模式中遥控拍照；
- 再次长按3秒关闭蓝牙。



- 2

The Remote Control of this product is detachable. Pull the center rod to leave space for sliding out the Bluetooth Remote Control.

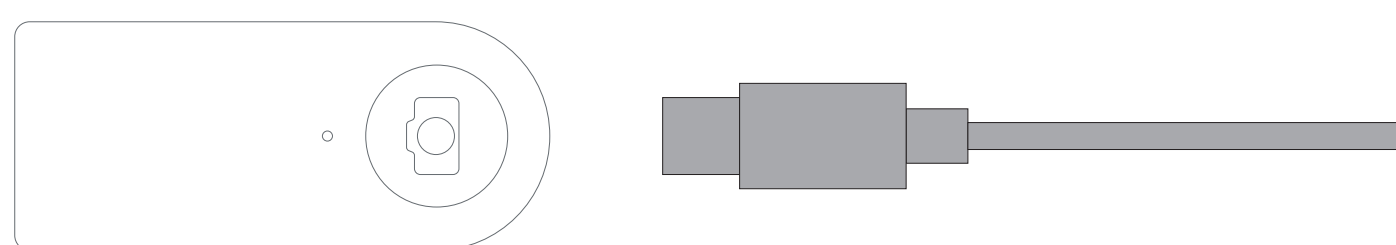
本品所使用的蓝牙遥控器采用可分离式设计，取出遥控器时先拉出部分拉杆，然后再向上推出蓝牙遥控器将遥控器取出。



- 3

When the battery is low, detach the Remote Control and charging with the USB-C cable.

当长期使用本产品造成电量不足时，请取下遥控器充电。



Warnings 警告

1. Watch your hands during use.
2. The product is not designed for children under 14 years old. Do not swallow it.
3. Do not dismantle or modify the product.
4. Do not store the product in a humid environment.
5. Keep the product away from heat sources.
6. Do not expose the product to water or other liquids in case of damage.
7. The magnetic accessory is only suitable for non-impact activities. Avoid using them in high-speed or high-intensity sports (such as surfing, skiing, or drifting)

*The stand is suitable for iPhone 12 and above mobile phone bare use (because these mobile phones have a magnetic suction ring inside the back, the ordinary case will affect the magnetic force). If your mobile phone is not of the above models, other models or you want to wear the case, you can choose the following two options:

① Using magnetic adapter ring

Note:

- Clean the laminating surface of the magnetic adapter ring, it needs to be laminated on a smooth, flat, and non-porous plane, it is not recommended to be laminated on a rough and uneven surface.
- Cell phone cases made of oily material affect adhesion, such as liquid silicone, not recommended.
- The first time you paste, please be sure to paste the correct position, not repeat the paste. After pasting, you need to press it until it fits perfectly and leave it to be laminated on a rough and uneven surface for more than 2 hours. (Do not pull the magnetic adapter ring within 2 hours)

② Wearable magnetic suction case

Mobile phone case with magnetic suction ring on the market can be directly adsorbed.

1. 使用中小心夹手;
2. 本商品请勿让14岁以下儿童玩耍使用, 请勿吞食;
3. 请勿自行拆开或改装本产品;
4. 请勿将本产品存放在潮湿环境中;
5. 请勿将产品靠近热源;
6. 请勿将水或其它液体流入本产品内部, 导致本产品损坏;
7. 磁吸类产品仅适用于非冲击性活动, 不建议在冲浪、滑雪、漂流或其他高冲击性、高强度运动中使用。

*该支架适用于iphone 12及以上手机裸机使用(因这些手机背面内部自带磁吸环, 普通壳会影响磁力)如果您的手机非以上机型, 其他机型或者想戴壳使用, 可选以下两种方案:

① 搭配引磁片

不限制机型, 所有手机 / 戴壳都能用, 将引磁片贴在手机背面或者手机壳上即可。

注意:

- 将引磁片的贴合表面清理干净, 需贴合在光洁、平整、无孔平面, 不建议贴合在粗糙、不平整表面;
- 偏油性材质的手机壳会影响粘性, 如液态硅胶类, 不建议使用;
- 第一次粘贴请务必粘贴正确位置, 不可反复粘贴。粘贴后需进行按压至完全贴合, 静置2小时以上使用。(2小时内引磁片不要进行拉拔)

② 戴磁吸壳使用

市面上带磁吸环手机壳可直接吸附用。

Disclaimer 免责声明

Please read this statement carefully and by using this product you will be deemed to have acknowledged and accepted it in full. Please check the product carefully before each use and do not use it if damaged or deformed. By using this product, you acknowledge and agree that you are fully responsible for your actions and the possible consequences of using this product. You undertake to use this product only for legitimate and lawful purposes. You understand and agree that ("Telesin") shall not be liable for any misuse, adverse effects, damages, injuries, penalties or other legal consequences arising directly or indirectly from the use of this product. The user should follow the precautions including but not limited to those mentioned herein. To the extent Telesin reserves the right to interpret and modify this commitment within the limits of national laws and regulations. The warranty period for TELESIN products begins 6 months on the day you receive the product.

请仔细阅读本声明, 一旦使用本产品, 即视为对本声明的全部认可和接受。每次使用前, 请仔细检查产品, 若出现破损、变形, 请勿使用。使用本产品, 就意味着您认可并同意, 您将对使用本产品的行为和可能产生的后果负全部责任。您承诺仅会出于正当合法的目的使用本产品。您理解并同意, 对于直接或间接因使用本产品而造成的滥用、不利影响、损害、伤害、惩罚或者其他法律后果, 泰讯数码有限公司(以下简称“Telesin”)将不承担任何责任。用户应遵循包括但不限于本文提及的使用注意事项。在国家法律法规范围内, 本承诺解释权、修改权归 Telesin 所有。

泰讯保修期从您收到货物后的当日起计算, 享有6个月保修服务。