

Motorcycle Phone Mount Holder

骑行减震支架

Disclaimer 免责声明

Please read this statement carefully and by using this product you will be deemed to have acknowledged and accepted it in full. Please check the product carefully before each use and do not use it if damaged or deformed. By using this product, you acknowledge and agree that you are fully responsible for your actions and the possible consequences of using this product. You undertake to use this product only for legitimate and lawful purposes. You understand and agree that ("Telesin") shall not be liable for any misuse, adverse effects, damages, injuries, penalties or other legal consequences arising directly or indirectly from the use of this product. The user should follow the precautions including but not limited to those mentioned herein. To the extent Telesin reserves the right to interpret and modify this commitment within the limits of national laws and regulations. The warranty period for TELESIN products begins 6 months on the day you receive the product.

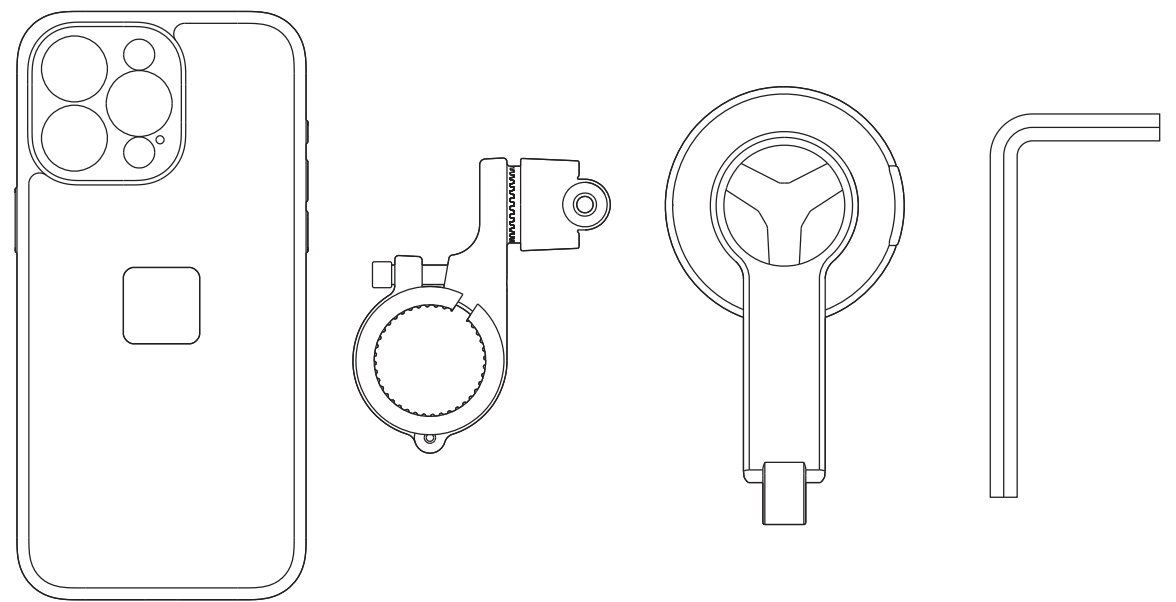
请仔细阅读本声明，一旦使用本产品，即视为对本声明的全部认可和接受。每次使用前，请仔细检查产品，若出现破损、变形，请勿使用。使用本产品，就意味着您认可并同意，您将对使用本产品的行为和可能产生的后果负全部责任。您承诺仅会出于正当合法的目的使用本产品。您理解并同意，对于直接或间接因使用本产品而造成的滥用、不利影响、损害、伤害、惩罚或者其他法律后果，泰迅数码有限公司（以下简称“Telesin”）将不承担任何责任。用户应遵循包括但不限于本文提及的使用注意事项。在国家法律法规范围内，本承诺解释权、修改权归 Telesin 所有。

泰迅保修期从您收到货物后的当日起计算，享有 6 个月保修服务。

Product Introduction 产品介绍

Pipe Clamp x1, Phone Mount x1,
Phone Case x1, Wrench x1

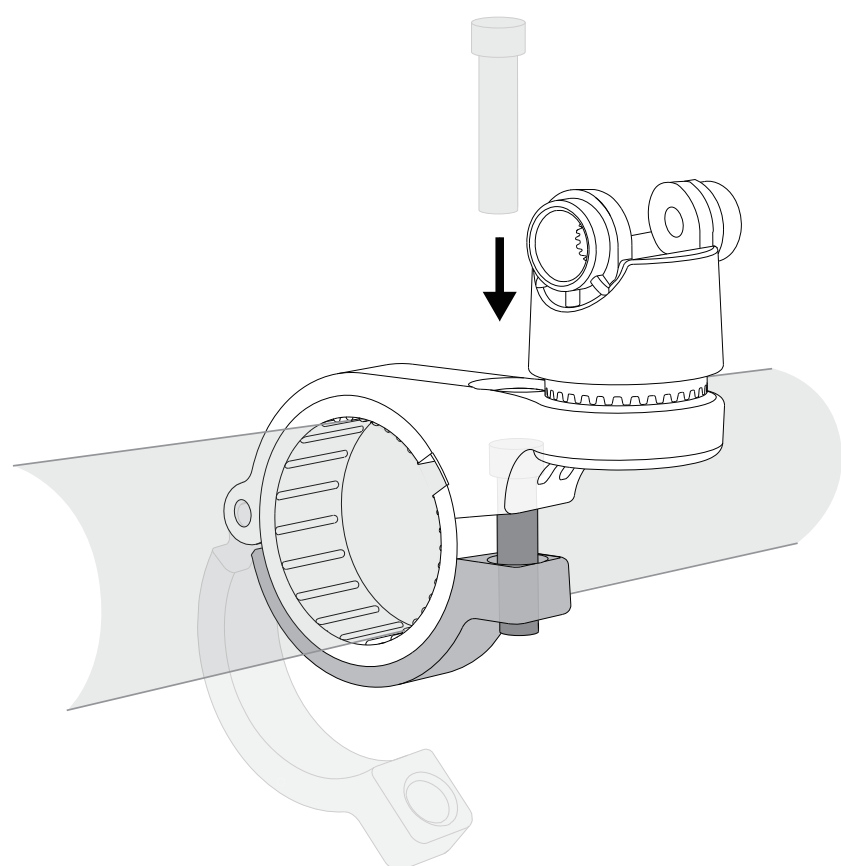
车管夹 x1, 手机支架 x1, 手机壳 x1, 板手 x1



Installation 安装

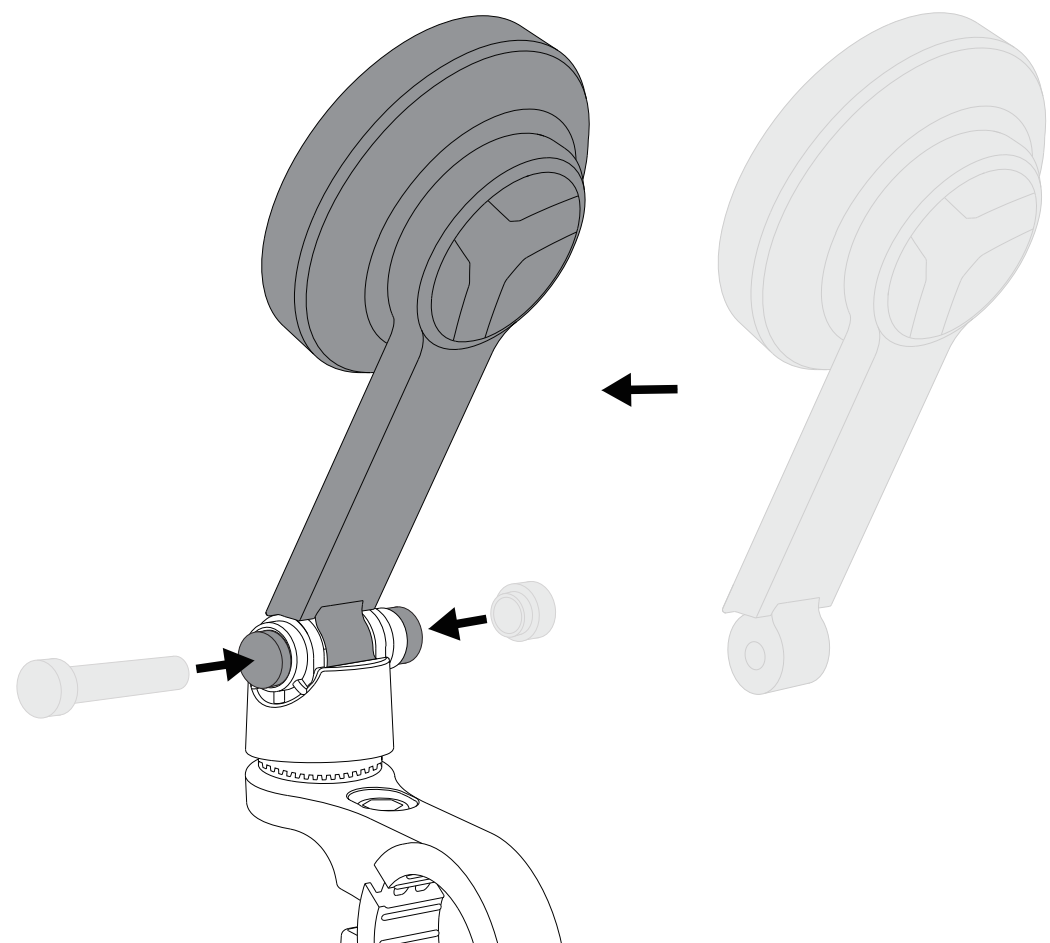
1. Attach the hose clamps, as illustrated in the figure below to illustrate screw mounting.

装车管夹，如下图方式说明螺丝安装。

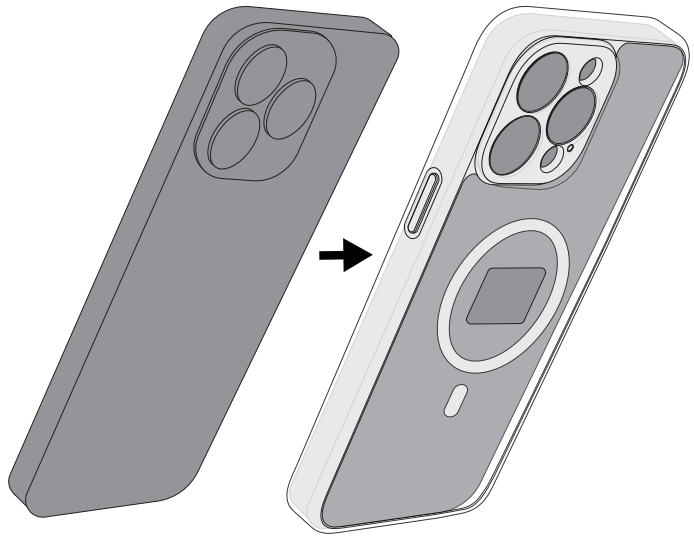


2. Mounting bracket with screws as shown below.

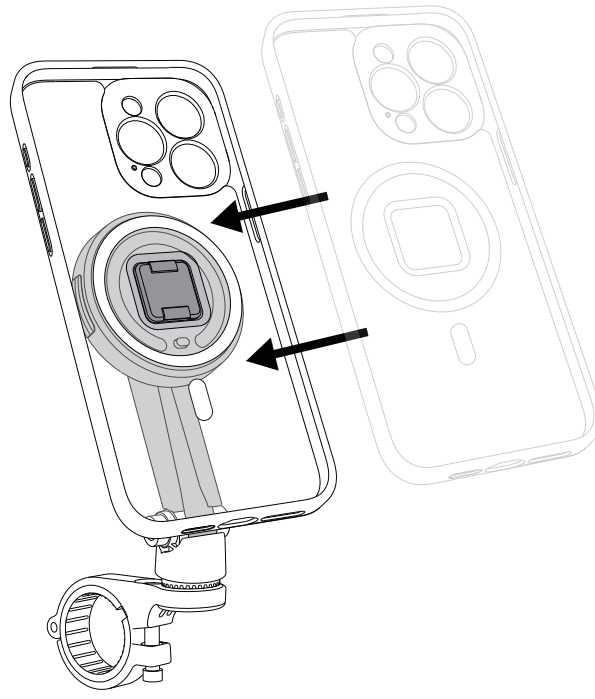
安装支架，如下图方式说明螺丝安



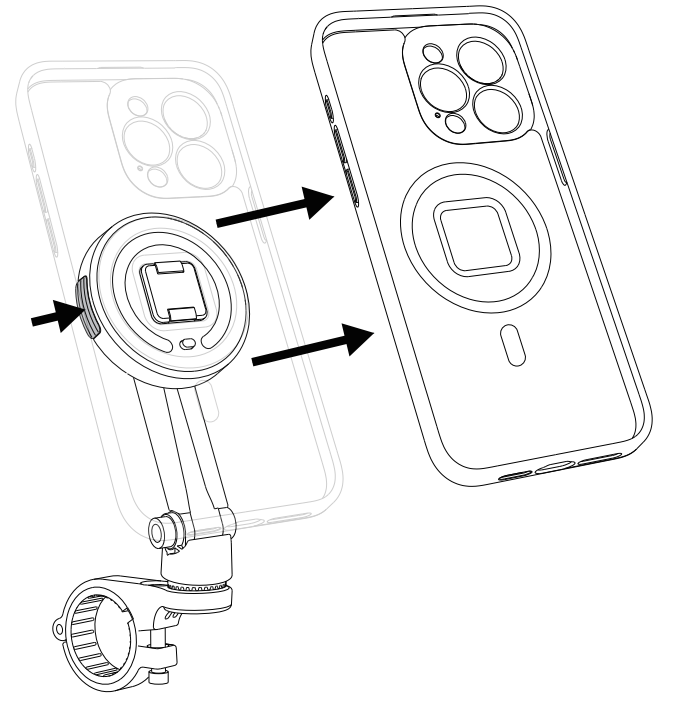
3. Mounting the case to the phone
手机壳安装到手机



4. Cell phone mounted to holder
手机安装到支架



5. Press the left unlock button to remove the phone
按压左侧解锁键取下手机

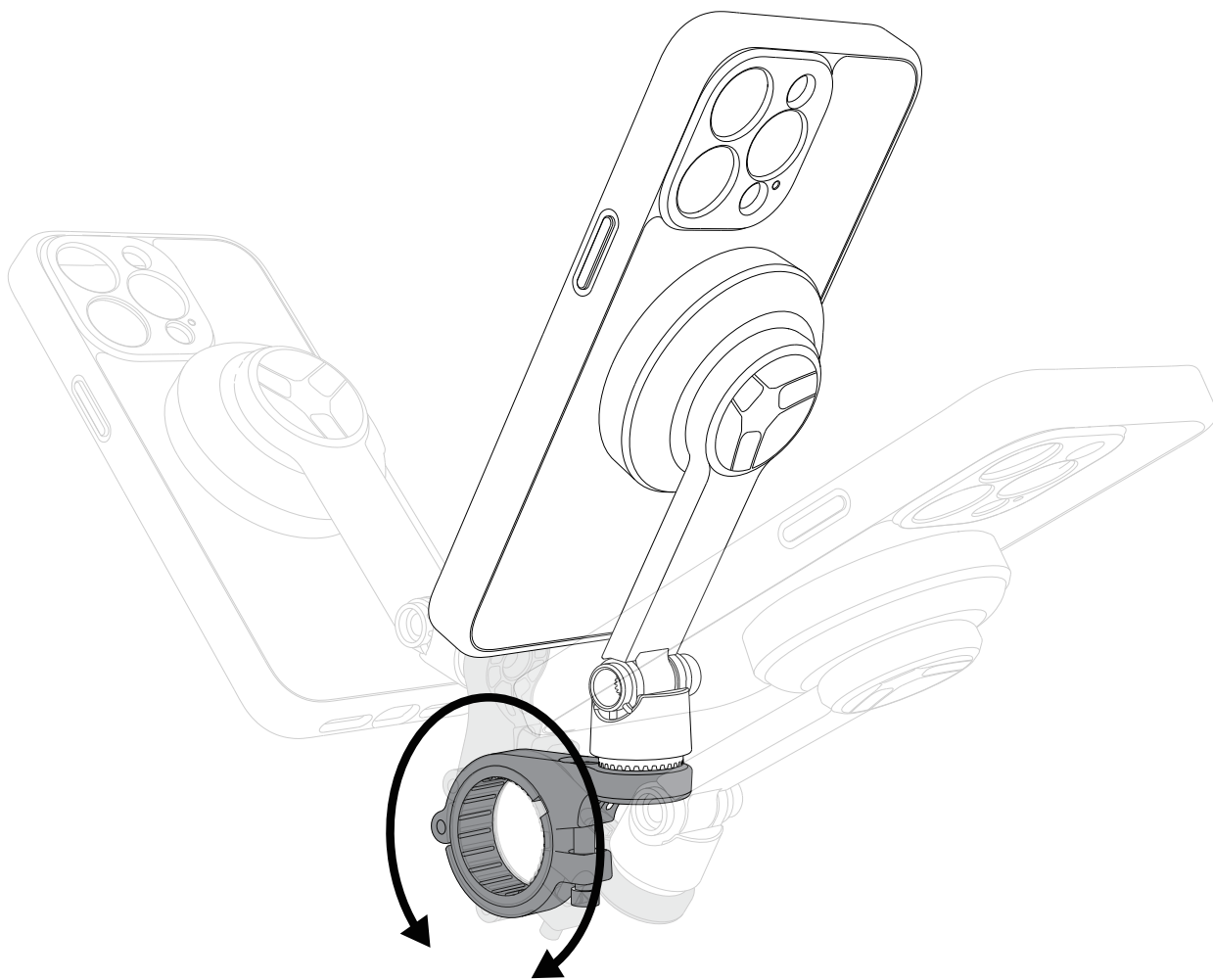


WARNING 警告

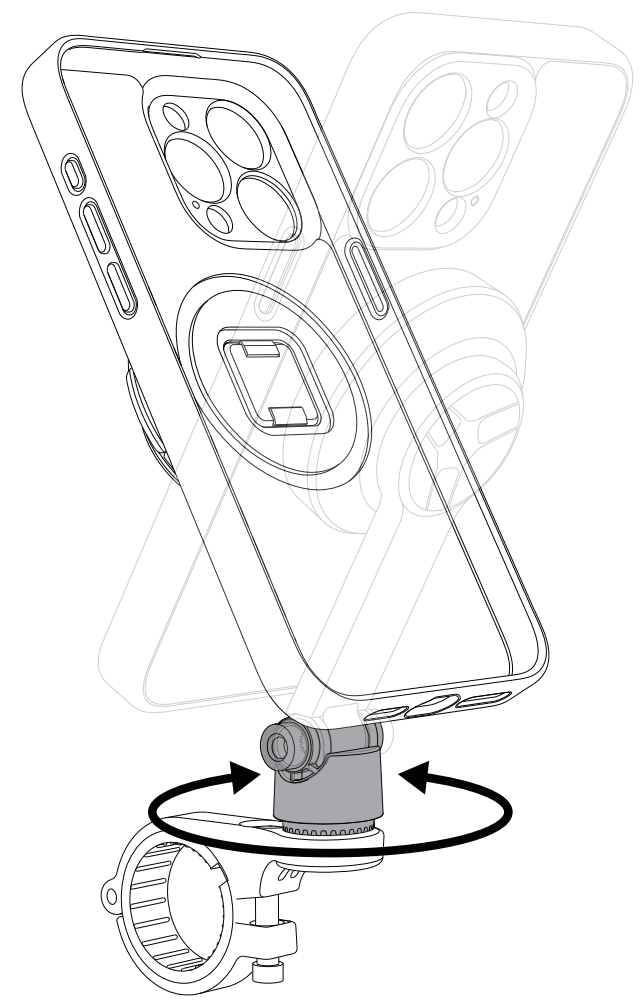
It is strongly recommended that you periodically check all bolts for proper torque.
强烈建议您定期检查所有螺栓是否正确

Phone Position Adjustment 调整手机角度

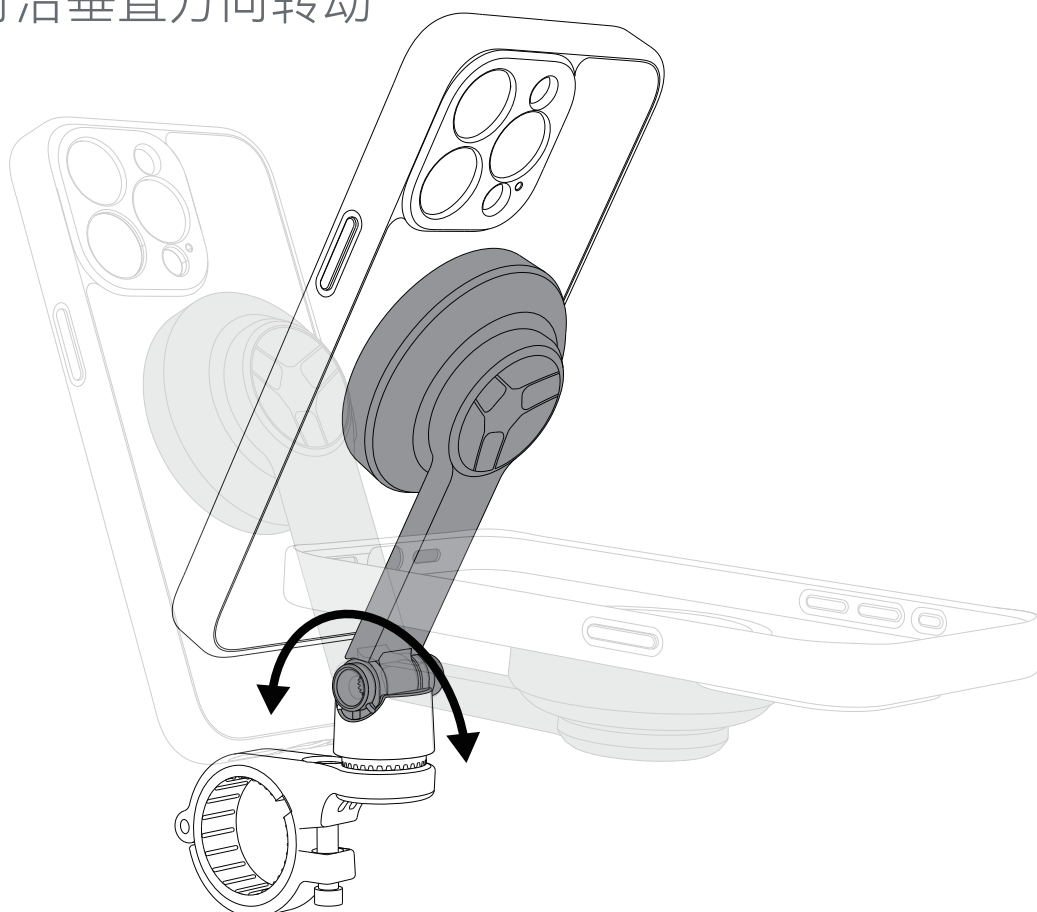
1. Tube clamps can be rotated vertically along the tube
车管夹可沿车管垂直方向转动



2. Mount Holder can be rotated horizontally
支架可沿水平方向转动



3. Mount Holder can be rotated in the vertical direction
支架可沿垂直方向转动



4. Cell phones can be placed both vertically and horizontally
手机可竖放和平放

