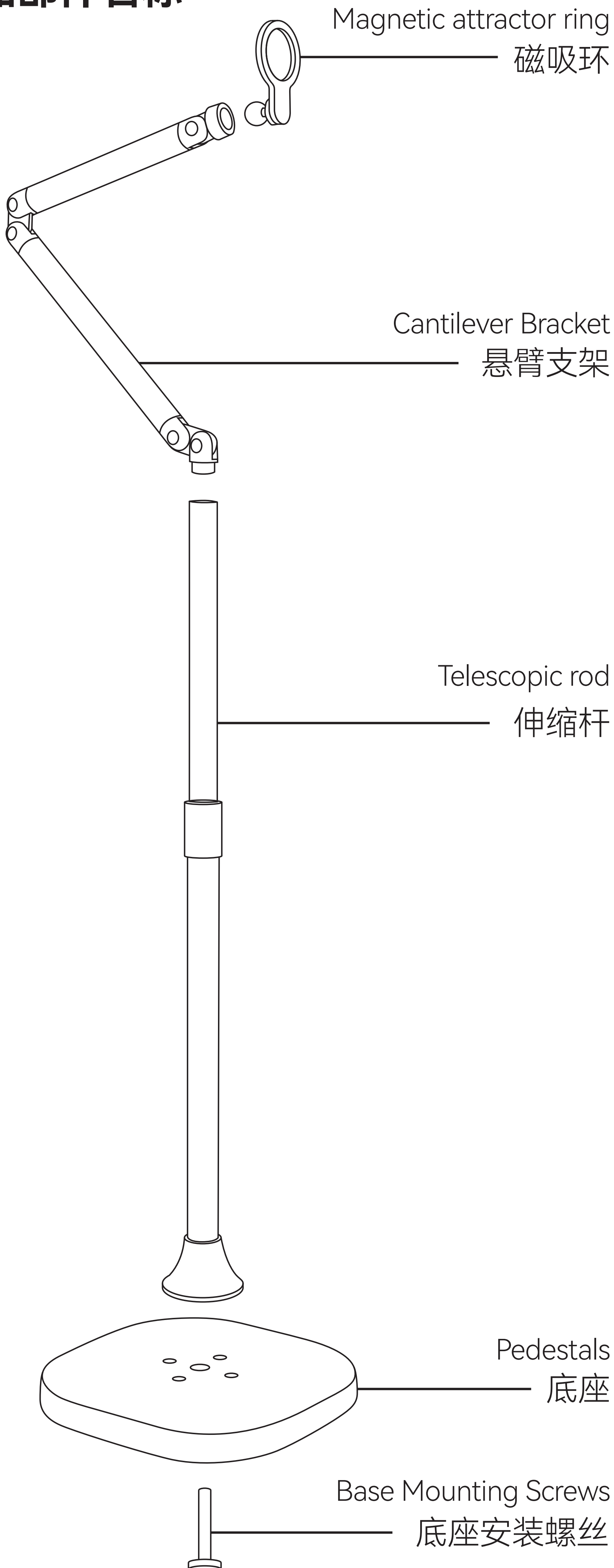


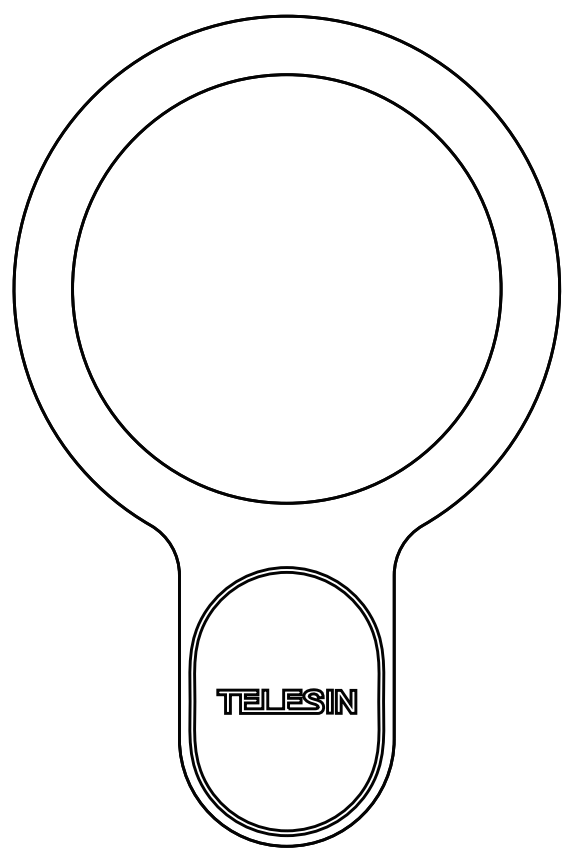
Product Part Name

产品部件名称

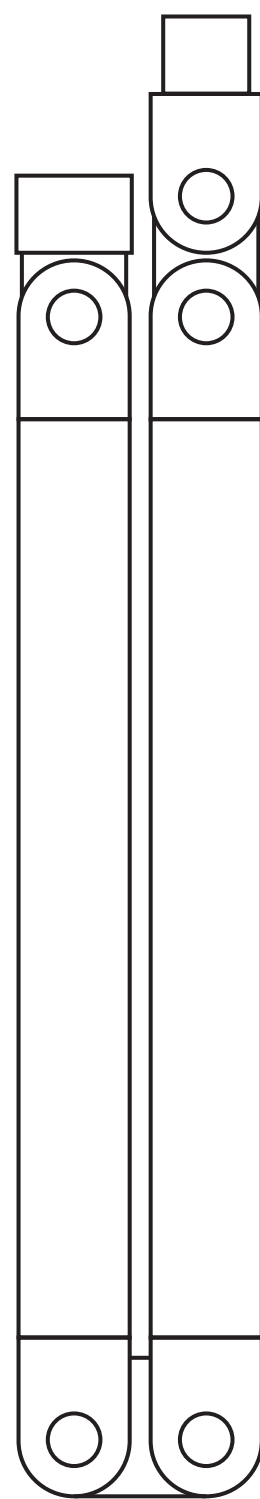


Packing List

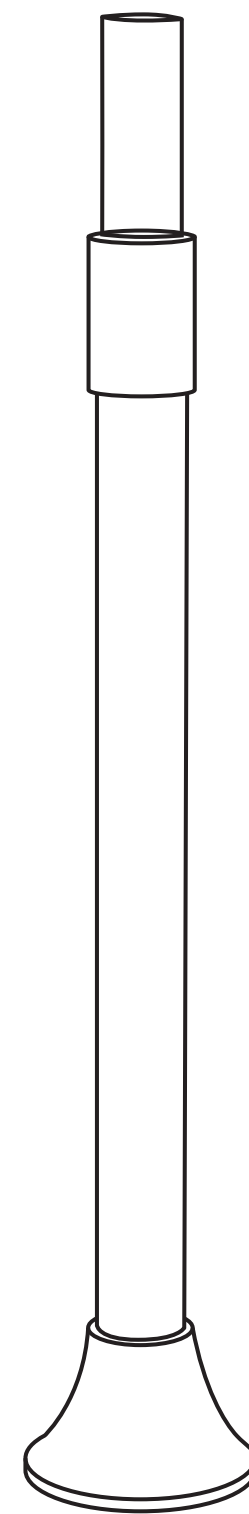
包装清单



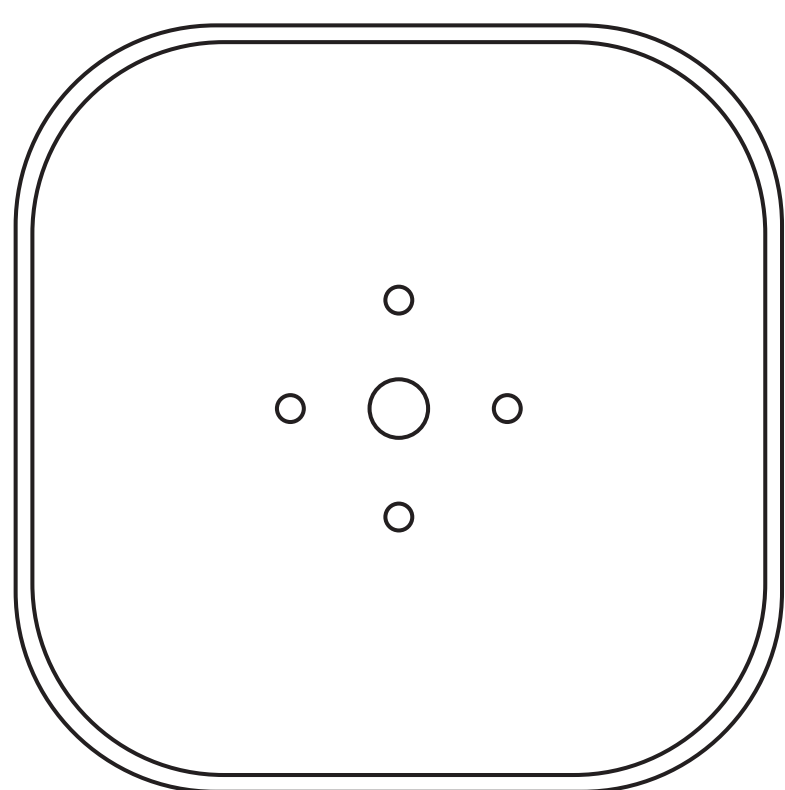
1. 磁吸环
1. Magnetic rings



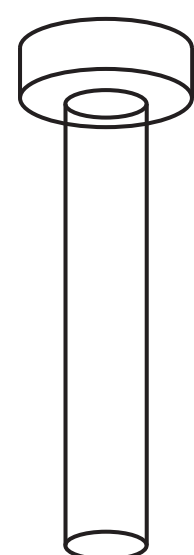
2. 悬臂支架
2. Cantilever brackets



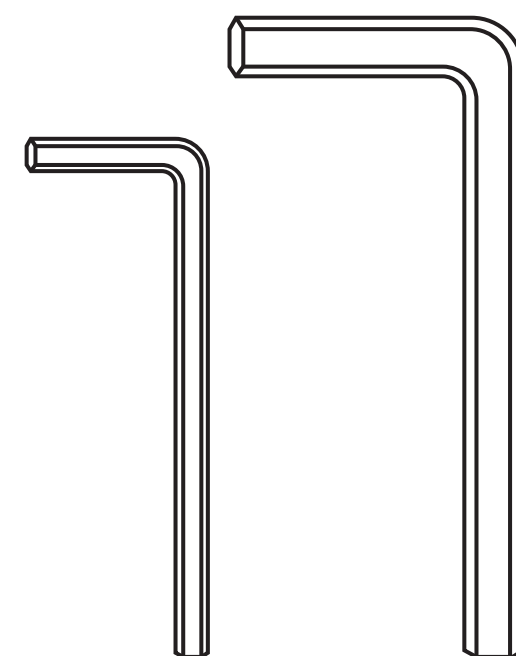
3. 伸缩杆
3. Telescopic rod



4. 底座
4. Bases



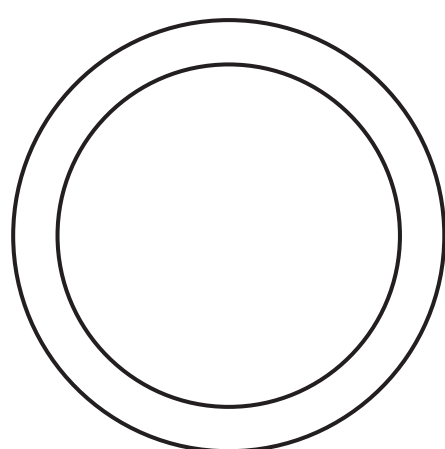
5. 底座安装螺丝
5. Base mounting screws



6. 六角扳手
6. Hexagonal wrench



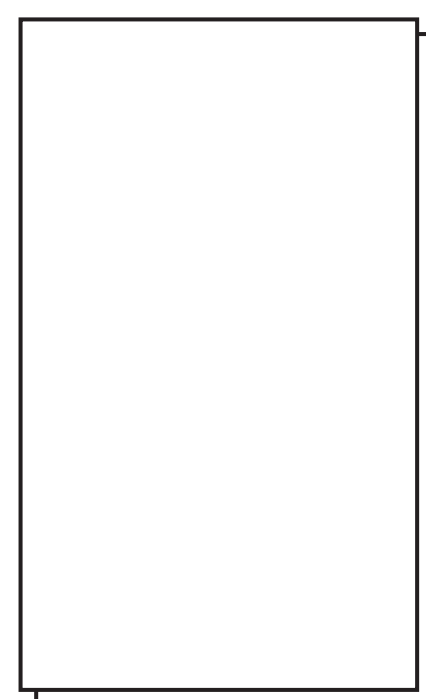
7. 手绳
7. Hand cords



8. 引磁片
8. Magnetic lead sheets



9. 清洁包
9. Cleaning kits



10. 说明书
10. Instruction manual

Product parameters

产品参数

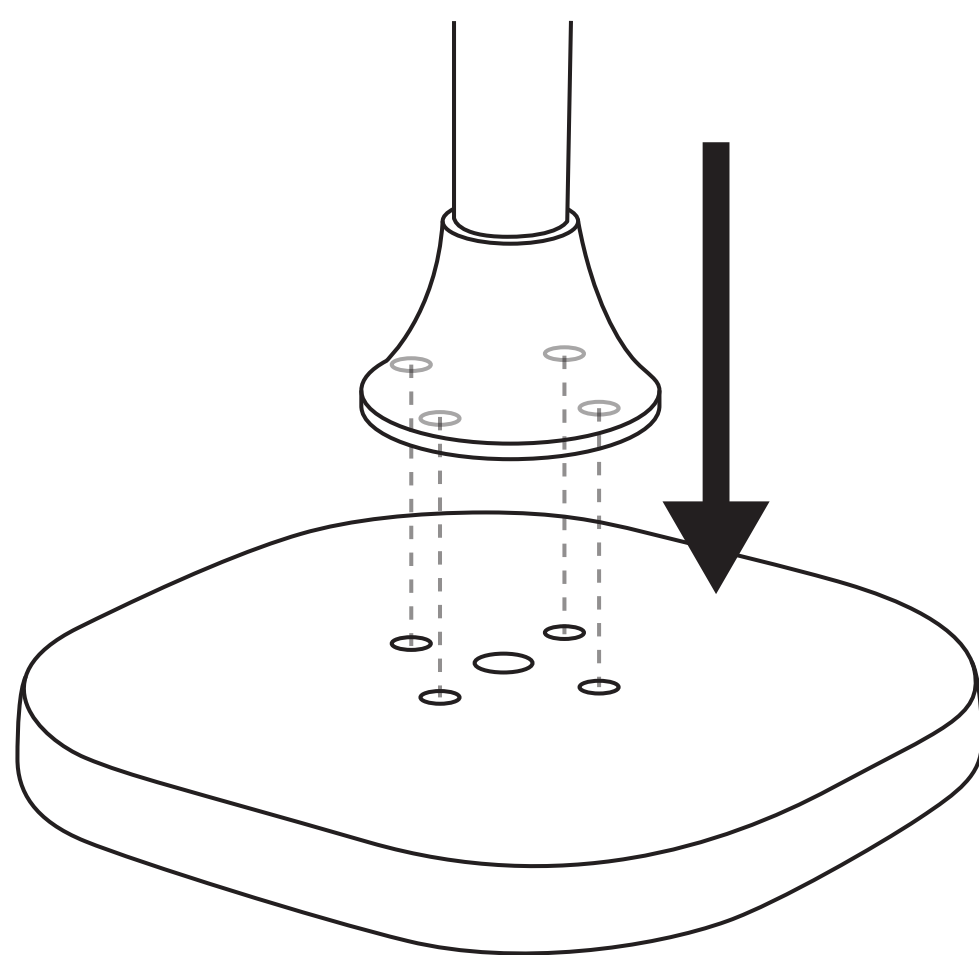
Product Brands 产品品牌	TELESIN 泰迅
Pseudolaric acid 产品名称	Magnetic Cell Phone Video/Live Streaming Stand - Floor Model 磁吸手机视频/直播支架-落地款
Product Material 产品材质	Aluminum + ABS + Iron 铝合金 + ABS + 铁
Base Size 底座尺寸	260X260mm
Product Height 产品高度	About 1225-1620mm 约1225-1620mm
Product weight 产品重量	About 2360g 约2360g
Applicable equipment 适用设备	≤ 6.5 inch phone ≤6.5寸的手机

Product assembly instructions

产品组装说明

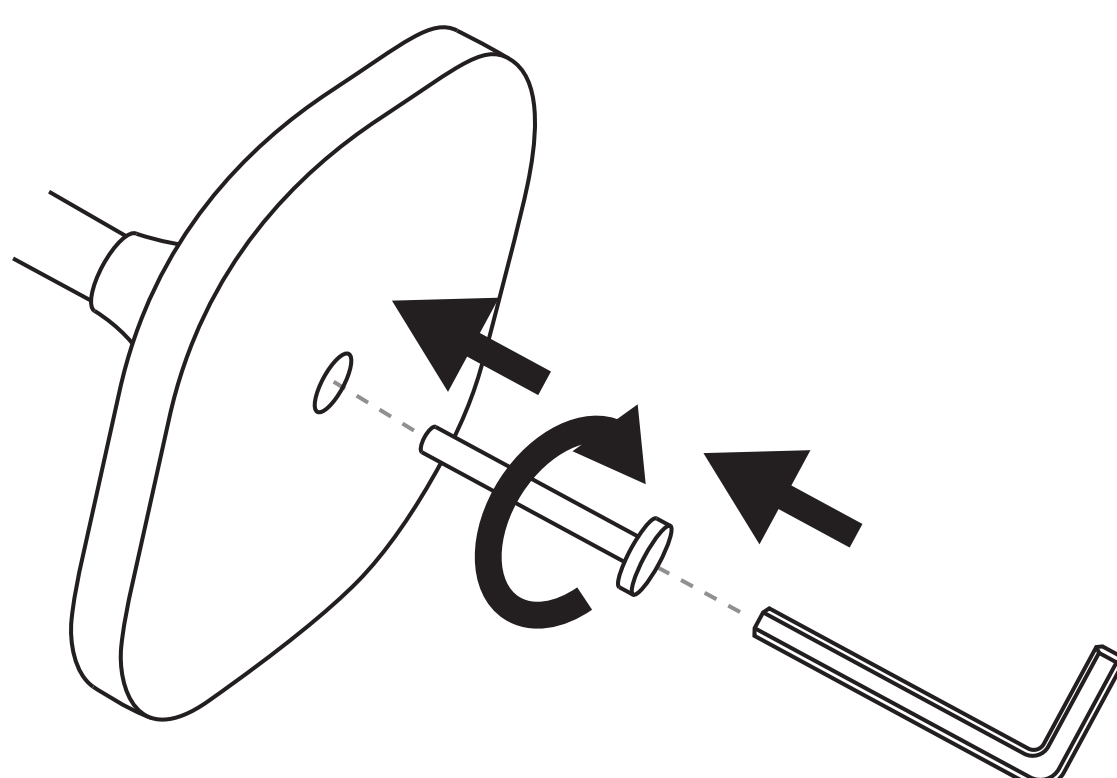
①Take the telescopic pole and base and fit the bottom of the telescopic pole against the locating hole in the base.

① 取伸缩杆和底座，将伸缩杆底部对准底座上的定位孔装入。



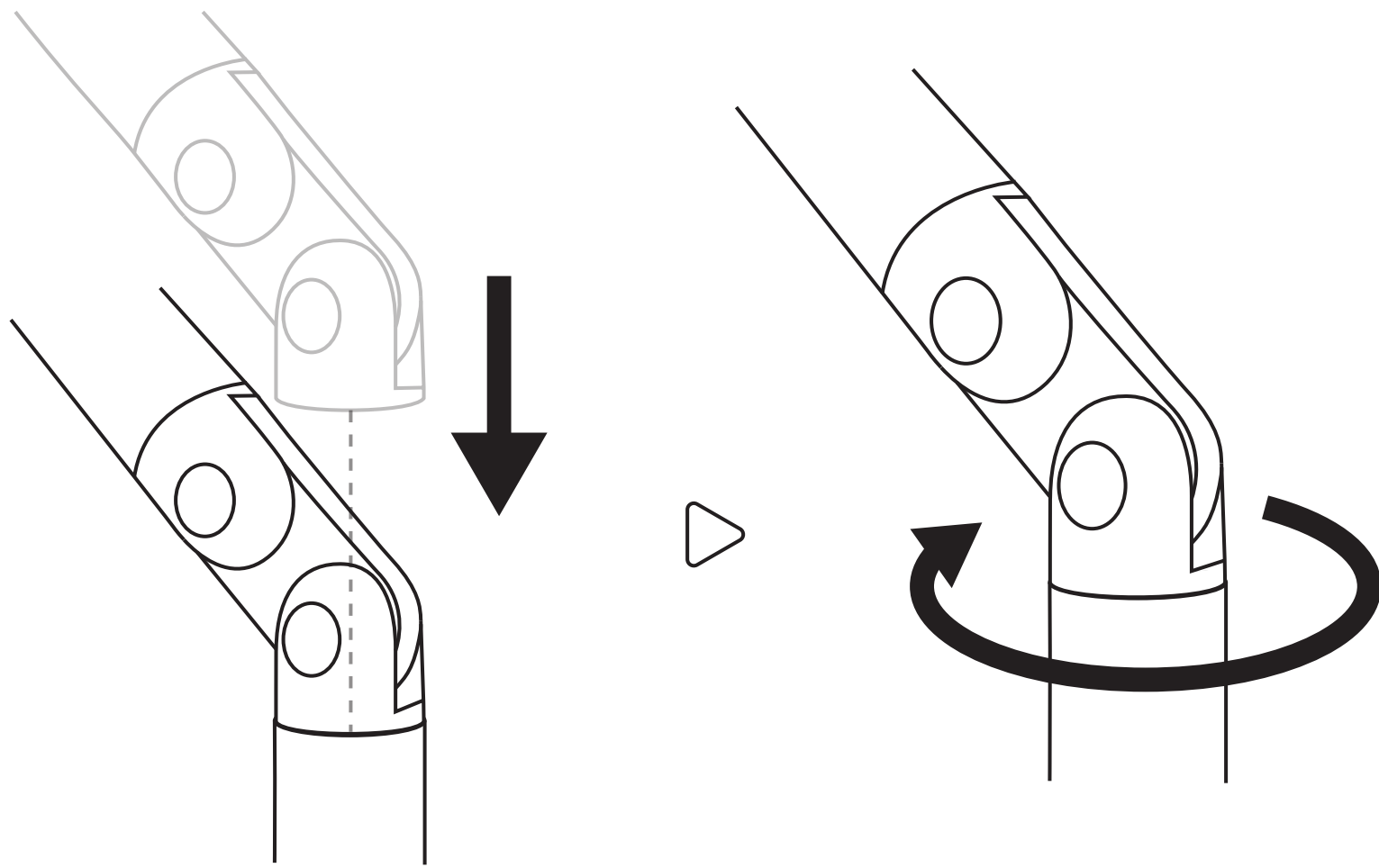
②Pass the base mounting screws through the base from the bottom up and torque them using an Allen wrench.

② 将底座安装螺丝从下往上穿过底座，利用内六角扳手扭紧。



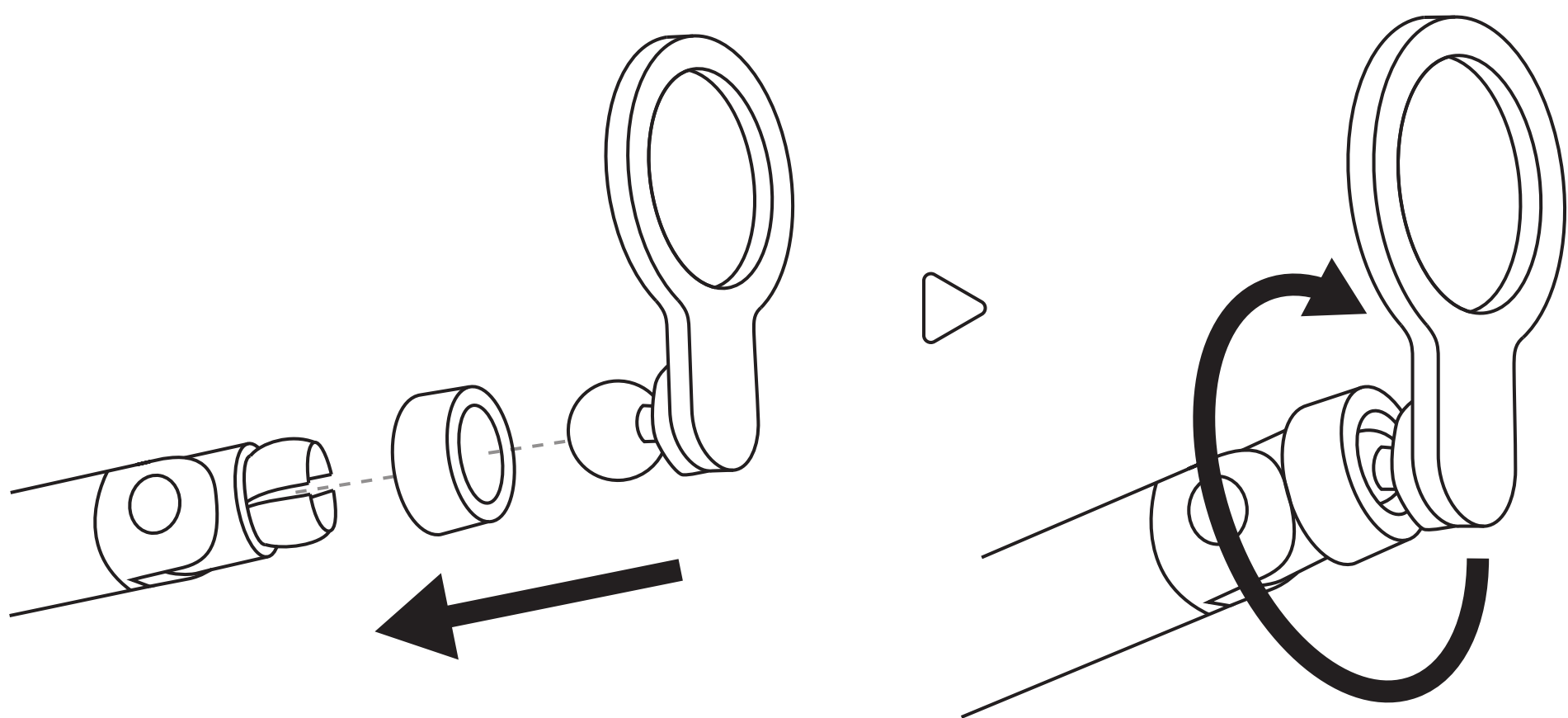
③ Align the cantilever bracket with the screw opening at the top of the telescopic rod and twist it clockwise.

③ 将悬臂支架对准伸缩杆顶部的螺口，顺时针扭入。



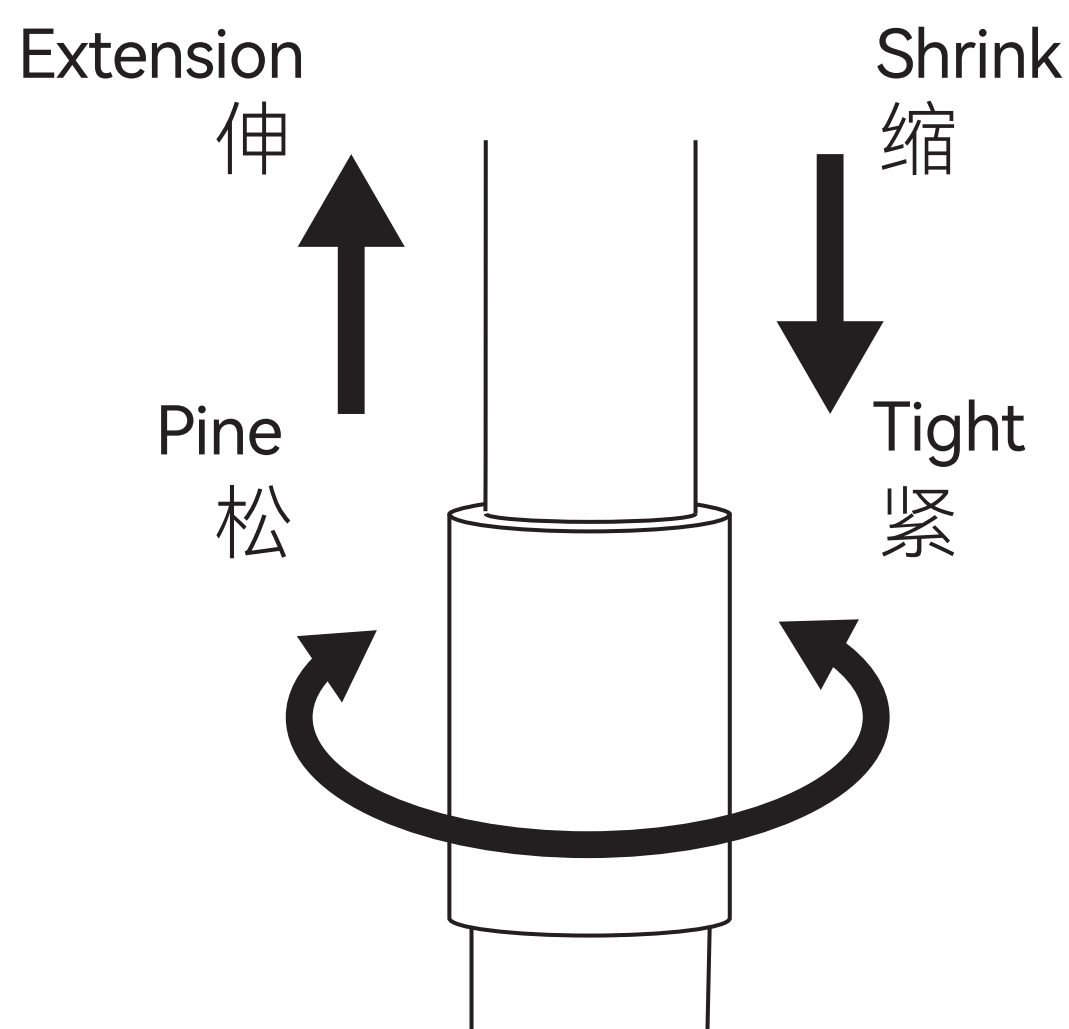
④ Screw out the magnetic suction ball head nut on the bracket onto the magnetic suction ball head, press the ball head into the ball head slot, and twist the nut to complete the assembly.

④ 将支架上的磁吸环球头螺帽拧出套在磁吸环球头上，将球头压入球头卡槽内，扭紧螺帽完成组装。



⑤ The height of the bracket can be adjusted by the knob in the center of the telescopic rod, and the bracket can be fixed by tightening the knob after the adjustment is completed.

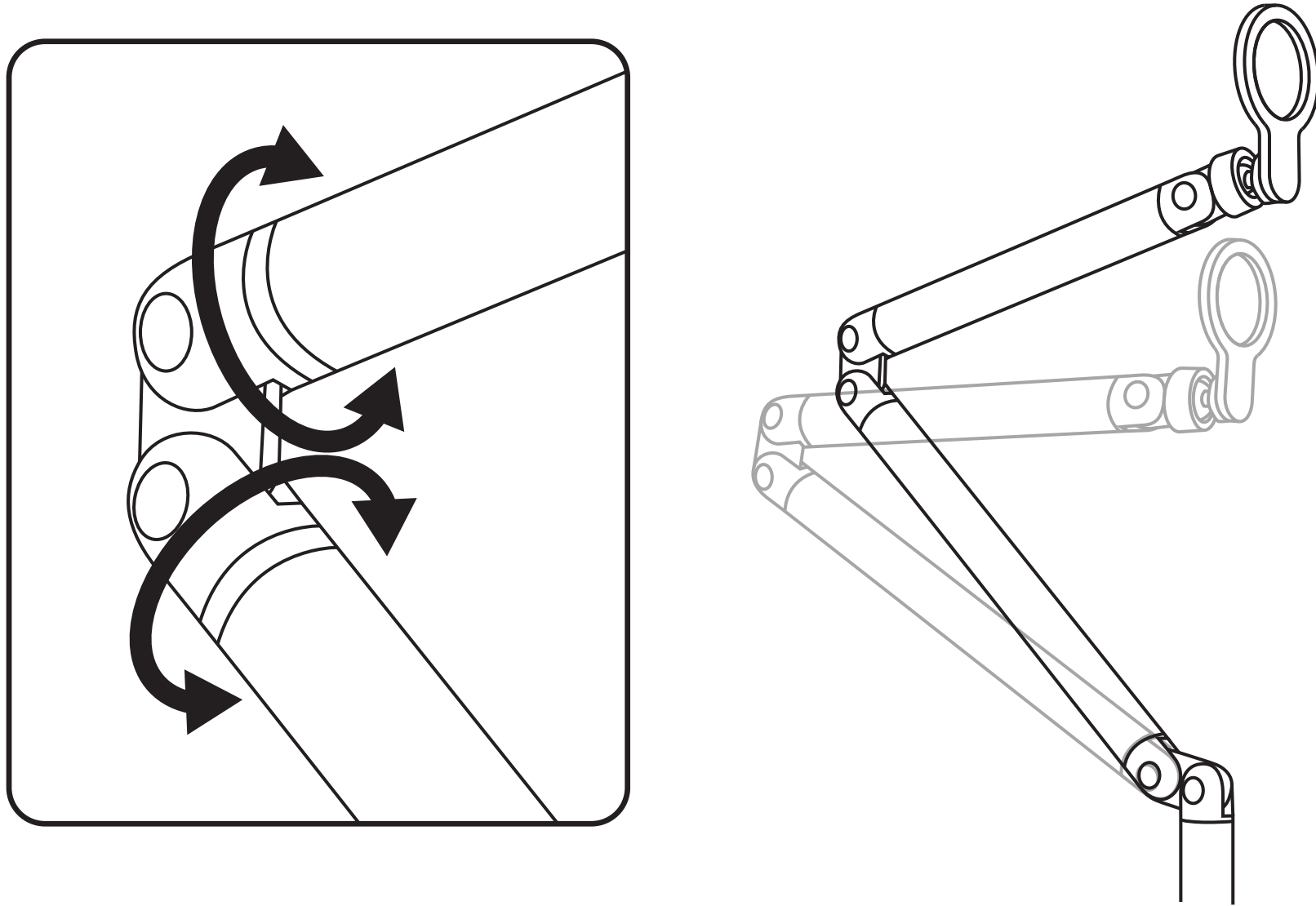
⑤ 通过伸缩杆中间的旋钮可调节支架的高度，调节完成后扭紧旋钮固定支架。



How to operate the cantilever bracket 悬臂支架操作方法

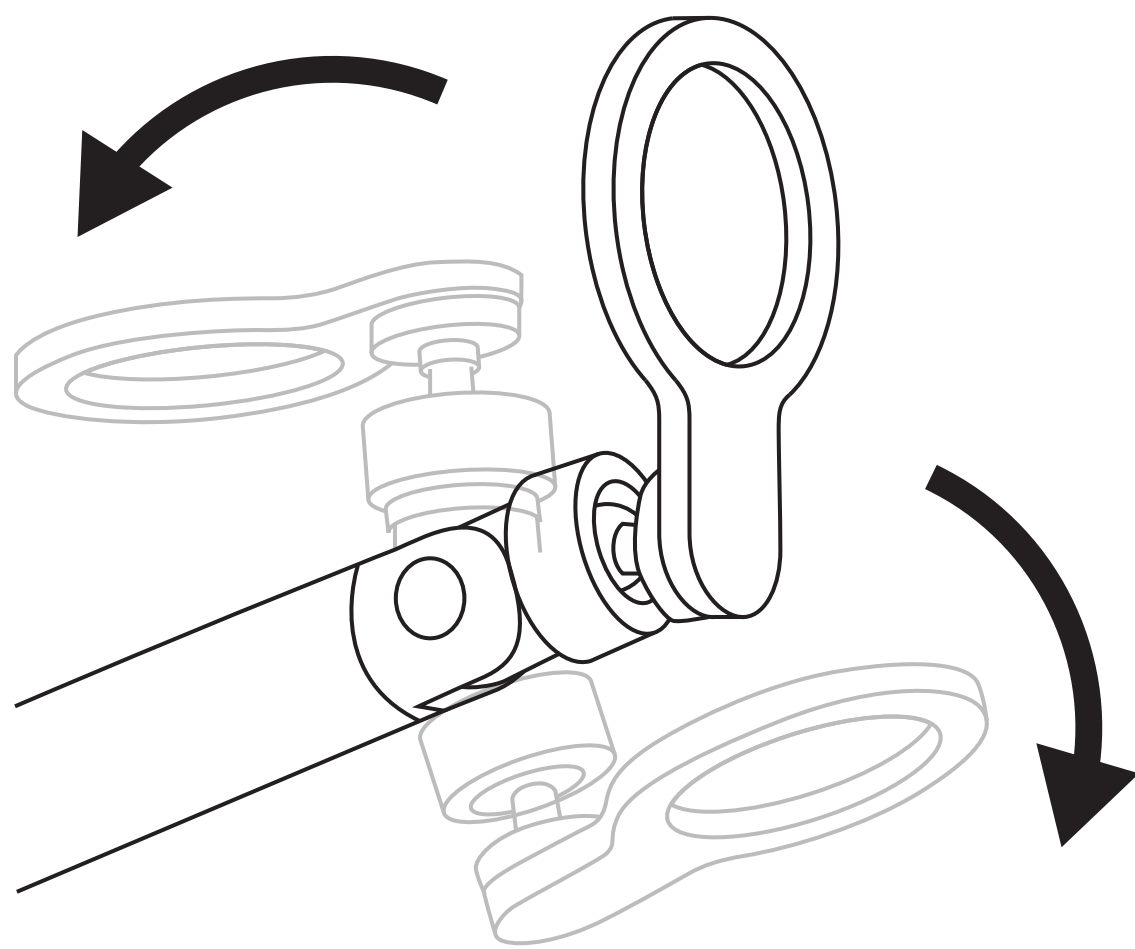
Cantilever angle adjustment: the cantilever bracket can be flexibly adjusted in height and angle.

悬臂角度调节: 悬臂支架可灵活调节高度和角度。



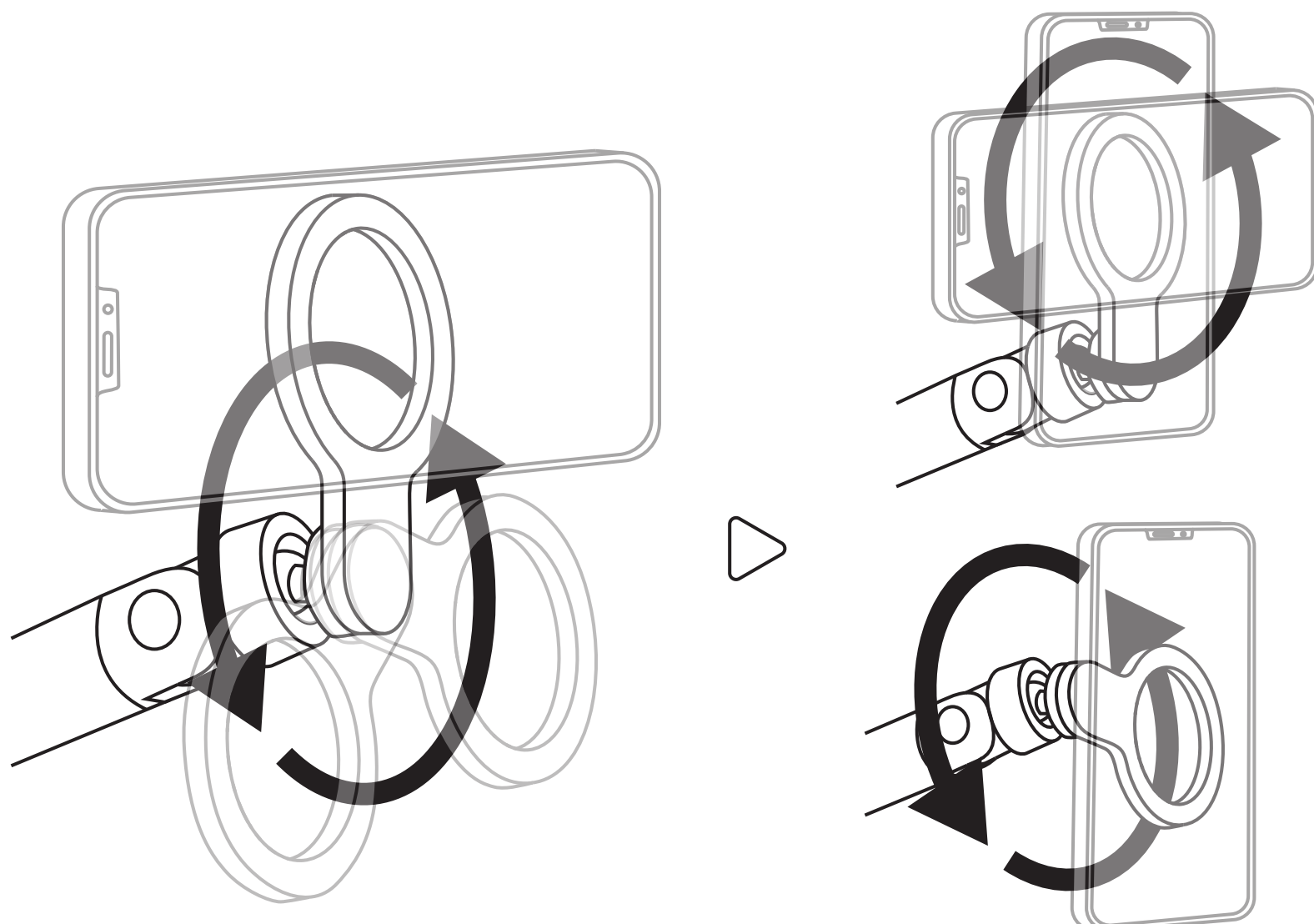
Magnetic ring can be adjusted left and right: the overall magnetic ring can be adjusted up and down 180°.

磁吸环可左右调节: 整体磁吸环可上下 180°调节。



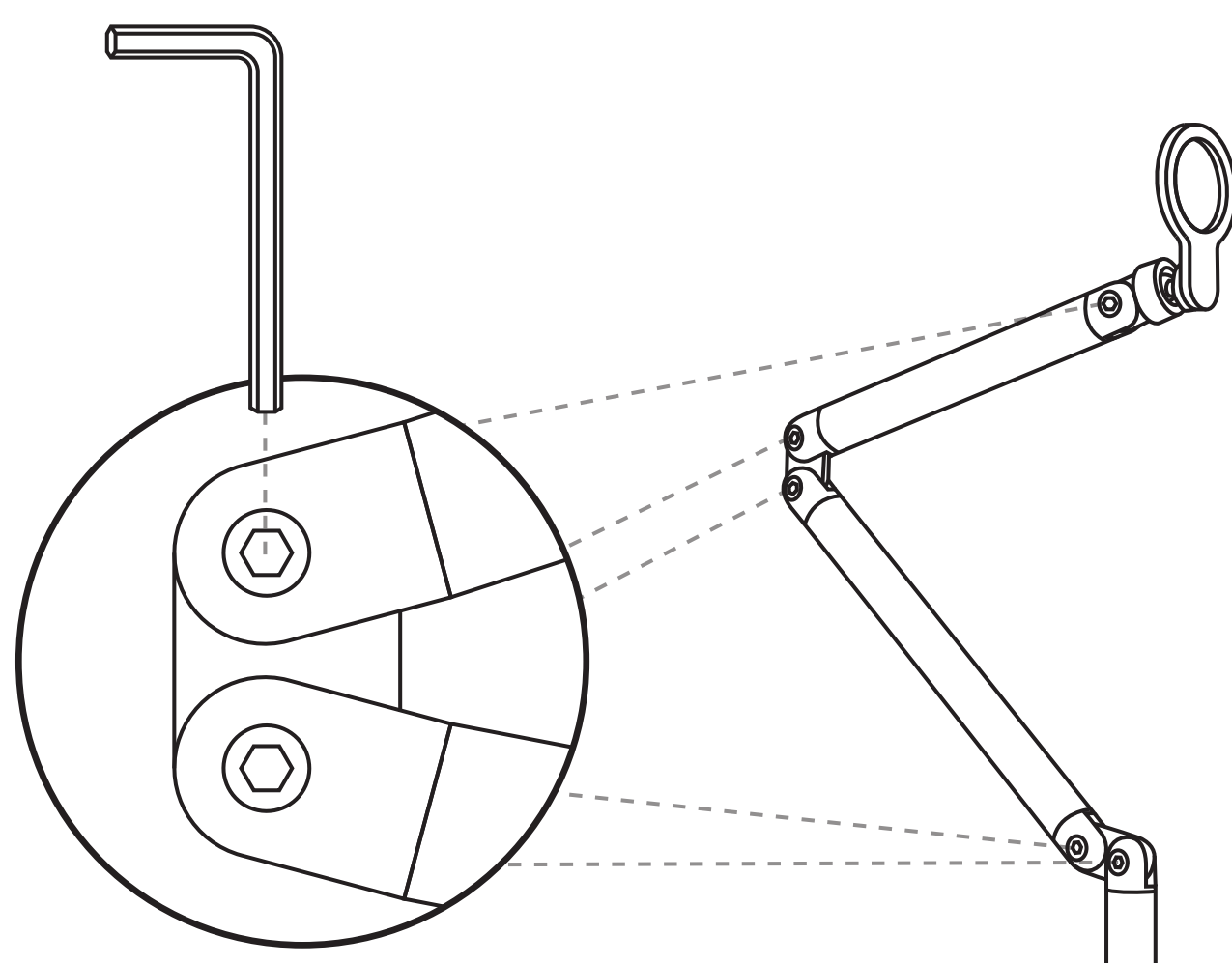
Horizontal/vertical screen switching: The magnetic ring can be rotated 360° flexibly.

横屏 / 竖屏切换: 磁吸环可 360°灵活旋转。



Clevis Bracket Loosening and Tightening Adjustment: When you feel that the strength of the clevis bracket's pivot shaft is not suitable after using it for a period of time, please adjust the tightness of the screws with the supplied Allen wrench. Do not disassemble the spindle without authorization, otherwise the product will be damaged.

悬臂支架松紧调节: 当使用一段时间后觉得悬臂支架的转轴力度不合适时, 请使用附送的内六角扳手调整螺丝的松紧度。切勿擅自拆散转轴, 否则将损坏产品。



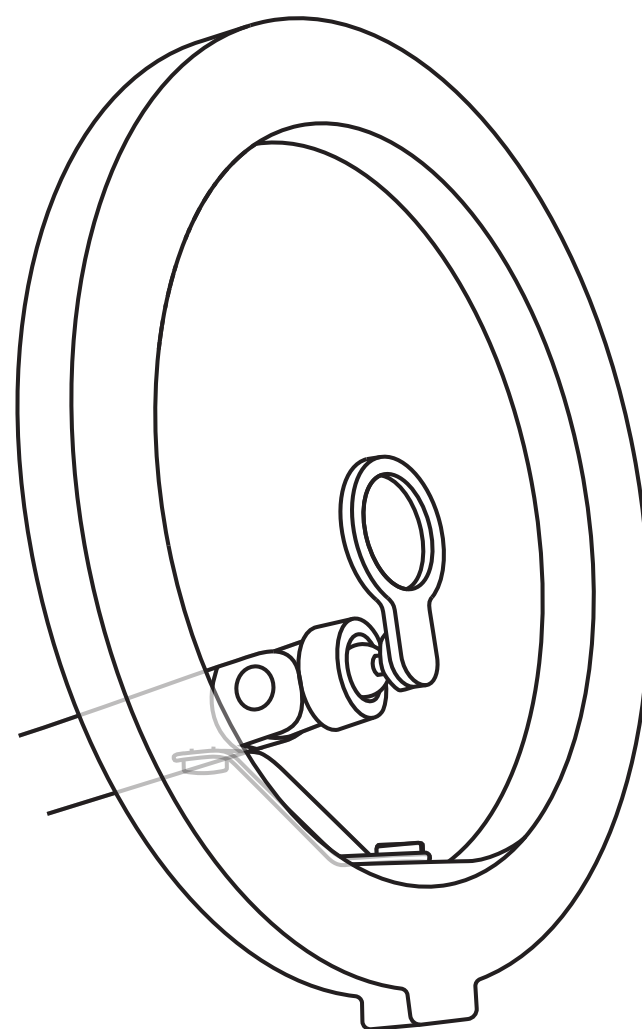
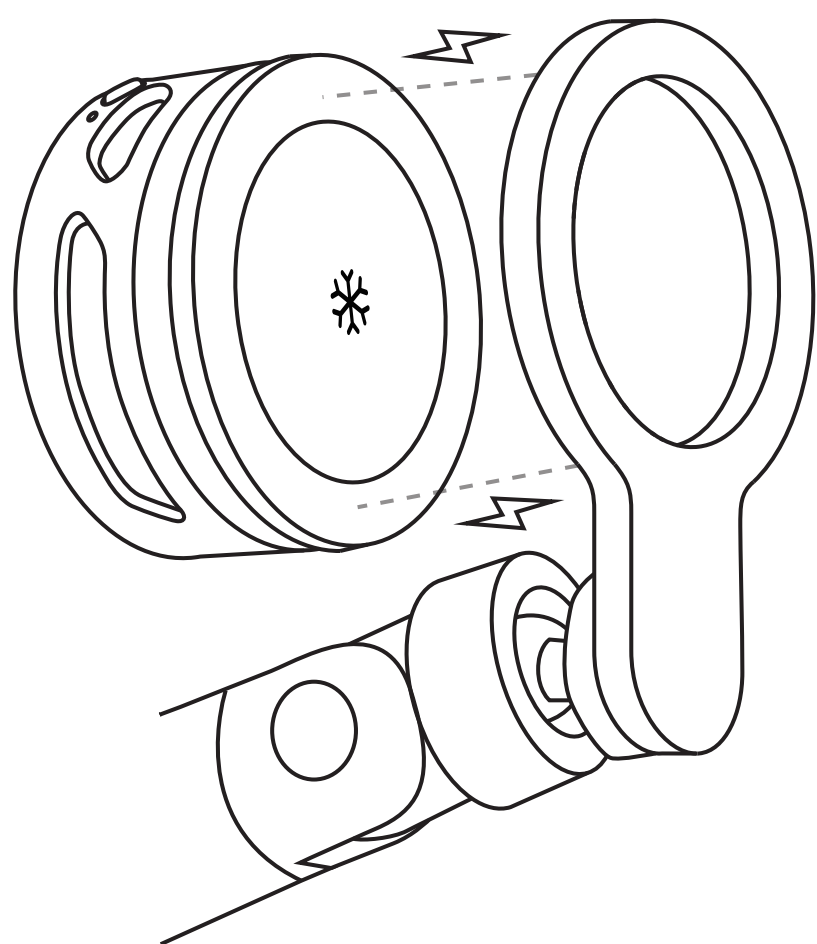
The back of the magnetic ring can be equipped with magnetic accessories: the back of the magnetic ring can be equipped with a magnetic heat sink or wireless charging heat sink, while live, cooling and charging.

磁吸环背面可搭载磁吸配件: 磁吸环背面可搭载磁吸散热器或无线充散热器, 边直播, 边散热, 边充电。

1/4 threaded connector: The 1/4 threaded connector is reserved on the head of the bracket and the aluminum tube of the pole body, which can be equipped with live broadcasting accessories, such as beauty ring fill light, microphone, sound card and other 1/4 connector video external devices.

The aluminum tubes of the head and body of the stand are reserved for 1/4 threaded connectors.

1/4 螺纹接口: 支架头部及杆体铝管上预留了 1/4 螺纹接口, 可搭载直播配件, 如美颜环形补光灯 / 麦克风 / 声卡等 1/4 接口的影像外接设备。



Note: The heat sink and circular fill light need to be purchased separately.
注: 散热器和环形补光灯需单独购买。

Disclaimer

免责声明

Please read this statement carefully and by using this product you will be deemed to have acknowledged and accepted it in full. Please check the product carefully before each use and do not use it if damaged or deformed. By using this product, you acknowledge and agree that you are fully responsible for your actions and the possible consequences of using this product. You undertake to use this product only for legitimate and lawful purposes. You understand and agree that ("Telesin") shall not be liable for any misuse, adverse effects, damages, injuries, penalties or other legal consequences arising directly or indirectly from the use of this product. The user should follow the precautions including but not limited to those mentioned herein. To the extent Telesin reserves the right to interpret and modify this commitment within the limits of national laws and regulations. The warranty period for TELESIN products begins 6 months on the day you receive the product.

请仔细阅读本声明，一旦使用本产品，即视为对本声明的全部认可和接受。每次使用前，请仔细检查产品，若出现破损、变形，请勿使用。使用本产品，就意味着您认可并同意，您将对使用本产品的行为和可能产生的后果负全部责任。您承诺仅会出于正当合法的目的使用本产品。您理解并同意，对于直接或间接因使用本产品而造成的滥用、不利影响、损害、伤害、惩罚或者其他法律后果，泰迅数码有限公司（以下简称“Telesin”）将不承担任何责任。用户应遵循包括但不限于本文提及的使用注意事项。在国家法律法规范围内，本承诺解释权、修改权归 Telesin 所有。

泰迅保修期从您收到货物后的当日起计算，享有6个月保修服务。

Shenzhen Telesin Digital Co., Ltd.

Address: Bantian Street, Longgang District, Shenzhen, Guangdong, China
Room 526, 5/F, Block B, Paradiso Building, Vanke City Community

Service hotline: 86-755-32947086

Implementation standards: Q/TX 003-2017

深圳市泰迅数码有限公司

地址：广东省深圳市龙岗区坂田街道
万科城社区百瑞达大厦B座5楼526室

服务热线：86-755-32947086

执行标准：Q/PASS 001-2020

www.telesin.com

